









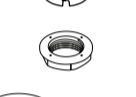


## Content of standard package

	1 WR10 Wireless Autopilot Controller
	2 AAA batteries
	1 BT-1 Bluetooth Base Station
	1 Micro-C drop cable 1.8 m (6 ft)
	3 Lanyard straps (1 for each brand) + 1 carabiner clip

## Accessories

	Wrist strap (000-12360-001)
--	-----------------------------

### Kit for pole mounting:

	2 pcs. M4 30 mm stainless steel Phillips head mounting screws (081-0008-11)
	2 pcs. No. 6x 1.5 Phillips head bolts (083-0011-15)
	Dash mount gasket (074-1253-000)
	Mount Pole Cone (072-2970-000)
	Pole mount locking nut (037-0105-00)
	Micro-C drop cable 1,8 m (6 ft) (003-7872-00) Micro-C T-Joiner (037-0491-01)



CE0980

LOWRANCE

WR10 Wireless Autopilot Controller  
and BT-1 Bluetooth Base Station

SIMRAD

B&G

Quick Reference Guide

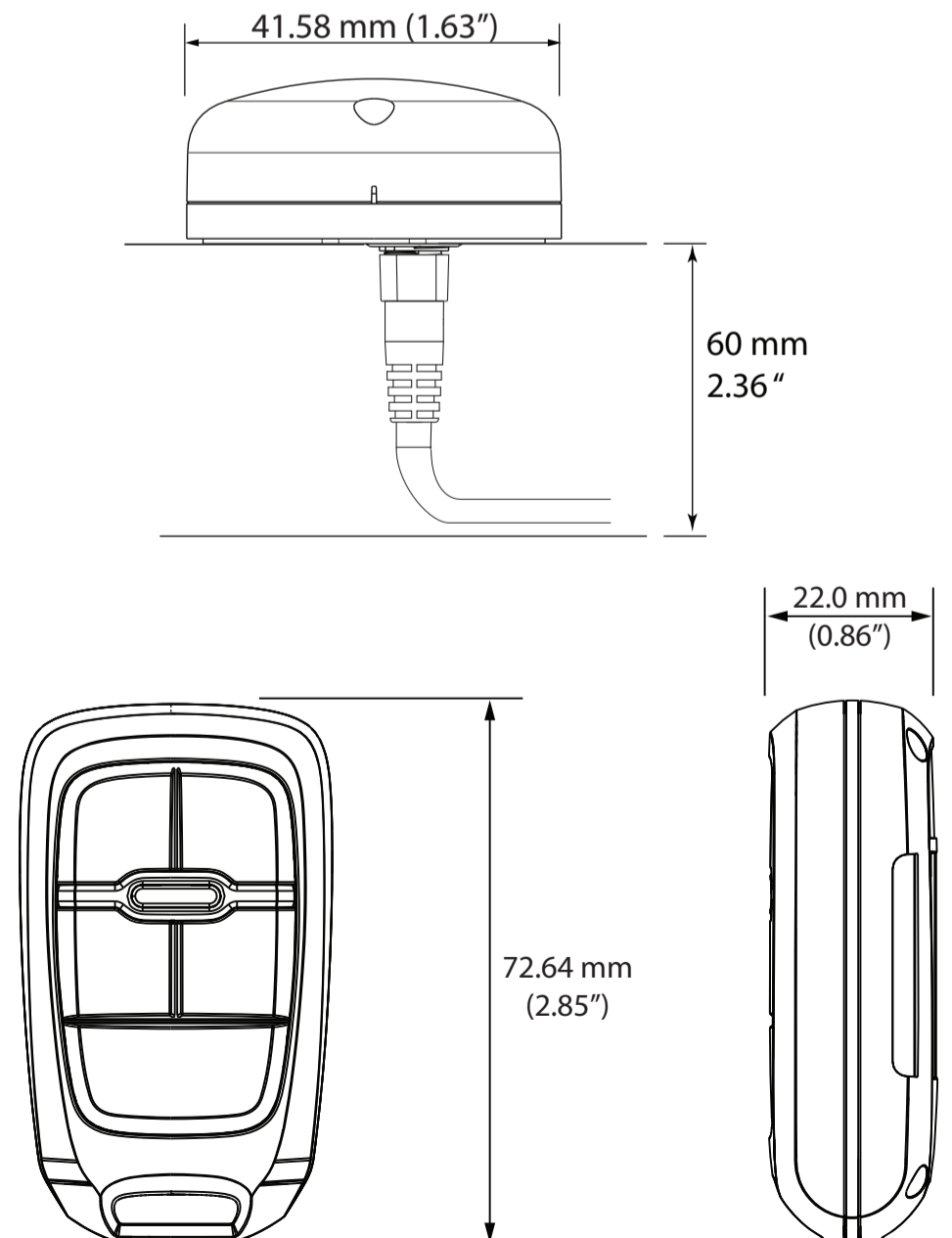


## Specifications

Base station	
Dimensions	Ø 90 mm, H 38 mm (Ø 3.54" H 1.50")
Power supply and interface	9-16 V DC via Micro-C network
Power consumption	<100 mA at 12 V DC
Temperature	Operating: -25°C to +60°C, Storage: -40°C to +85°C
Humidity	66°C, 95% RH, 18 hrs
Environmental protection	IPx7
In-rush current	2 A for 20 ms (@ internal 5 V)
Connection cable:	Micro-C drop cable 1.8 m (6 ft)
Signal wire gauge	24 AWG
Power wire gauge	22 AWG
Power wire resistance	5.7 ohms per 100 meters
Maximum current	3 A
Connector	Micro-C T-Joiner
Remote controller	
Dimensions	H 72.64 mm, W 41.58 mm, D 22 mm, Weight:
Power supply	2 AAA batteries
Temperature	Operating: -20°C to +55°C, Storage: -30°C to +70°C
Humidity	66°C, 95% RH, 18 hrs
Environmental protection	IPx6, IPx7
Operation	5 buttons
Communication	Bluetooth via Base station, range >30 m
Mounting	Lanyard strap or wrist mounted

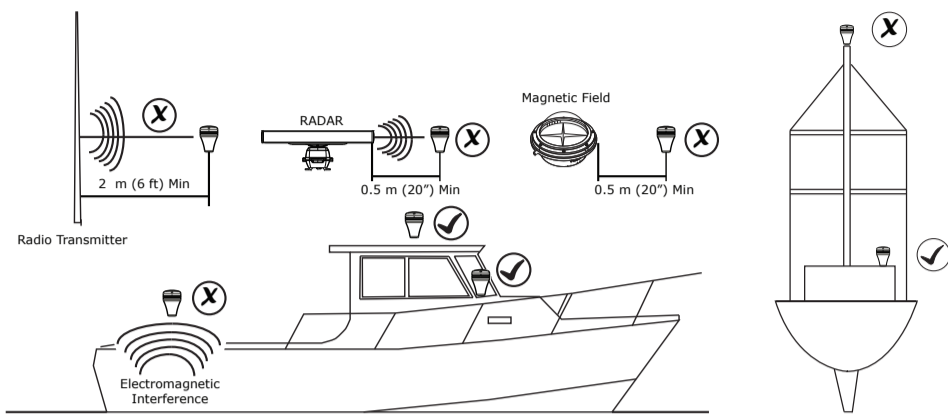
Brand	Supported autopilot systems
Simrad	NAC-1, AC12, AC42, SG05
Simrad Pro	AC70
Lowrance	Outboard Pilot
B&G	H5000, Triton

## Dimensional drawings



## Mounting location of base station

- Avoid installing the base station behind other electrical and electronic devices, as they may interfere with the signal and consistency of wireless communication.
- The base station should be at least 2 meters away from any other Bluetooth or wireless LAN (WiFi) transceiver.
- It is advisable to check Bluetooth connection throughout the boat by pairing the unit before permanently mounting the base station.



## Pairing a remote to the base station

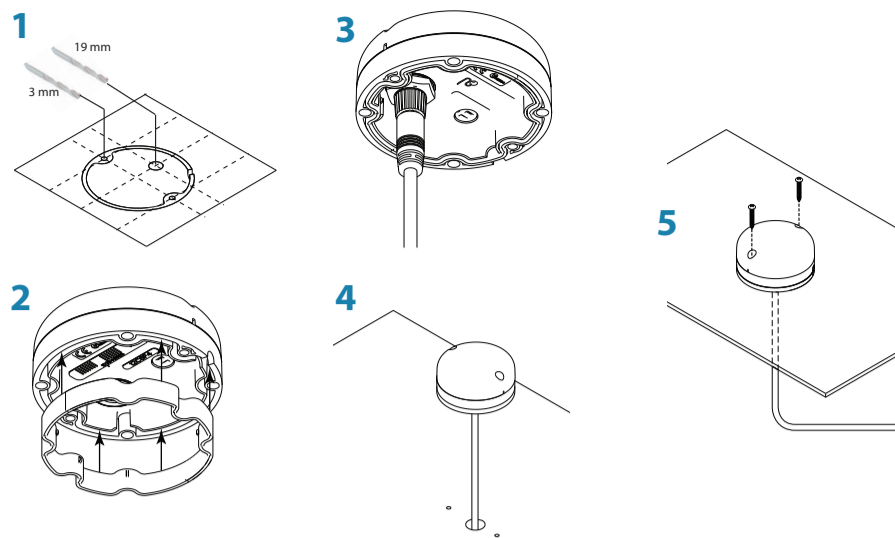
First, make sure that:

- the batteries in the remote are not low.
- the remote and the base station are placed as close together as possible.
- the AP system is OFF or in standby.

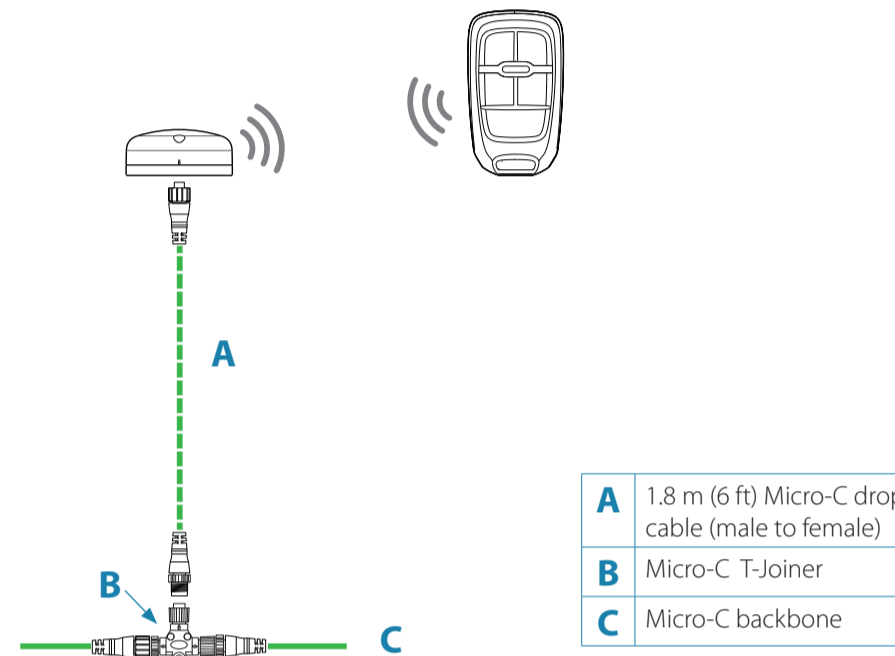
Then continue to:

1. Remove power from the base station.
2. Press and hold the buttons MODE and STBY on the remote for at least 5 seconds until a single quick green LED flashes. The remote is now in Discoverable mode and will stay in this mode for 60 seconds or until base station asks to pair.
3. Power up base station. For the first 10 seconds, the base station will search for Discoverable remotes.
4. Wait till remote quickly flashes the green LED every second, indicating that the base station is asking to pair.
5. Press the AUTO button for at least 1 second to start the pairing.
  - When successfully paired: The green LED will stay on for 2 seconds.
  - When pairing failed: The red LED will stay on for 2 seconds.

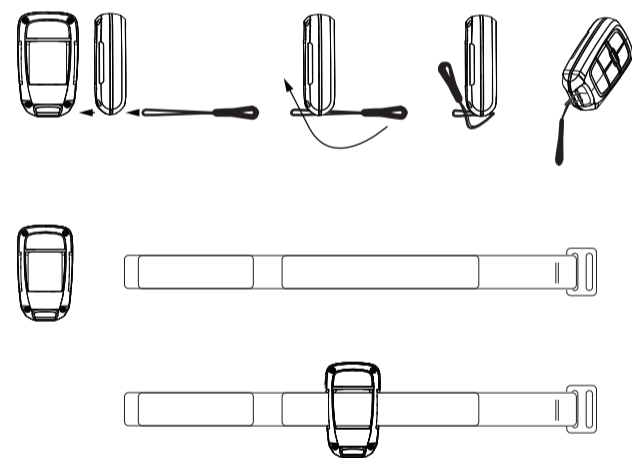
## Surface mount the base station



## Wiring the base station

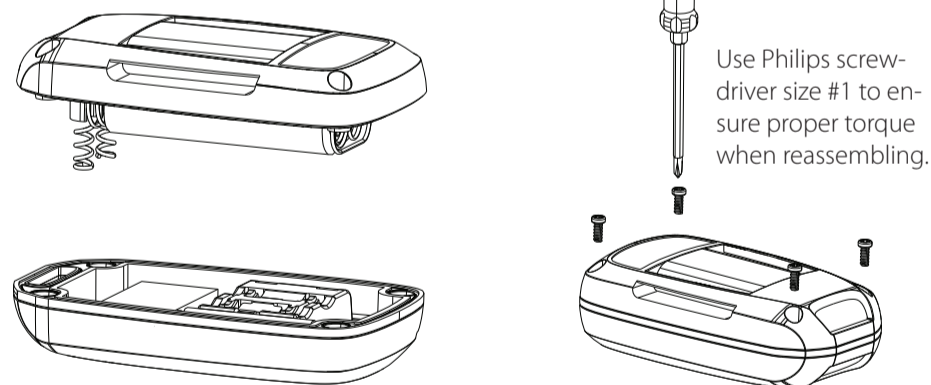


## Use of Lanyard strap or wristband



## Add/replace batteries

WR10 Wireless Autopilot Controller operates on 2 AAA batteries. Remove the cover to add or replace the batteries.



## Operation

Keys and LED	Action	Mode:	Auto	Standby	Wind	NoDrift
< Left arrow Port or > Right arrow Starboard	Short press: Adjust 1° to Port/Starboard i.e. heading in Auto mode, course in NoDrift mode and wind angle in Wind mode.		✓		✓	✓
	Long press (2s): Adjust 10° to Port/Starboard i.e. heading in Auto mode, course in NoDrift mode and wind angle in Wind mode.		✓		✓	✓
< Left arrow + > Right arrow	Autotack (in Wind mode), press and hold until LED is flashing green rapidly, then press AUTO to confirm.				✓	
STBY	Place the autopilot into Standby mode.		✓		✓	✓
MODE	Changes the autopilot mode:					
	1. Boats set to SAIL: Toggles AUTO and WIND modes. 2. Other boat types: Toggles AUTO and NoDrift modes.		✓		✓	✓
AUTO	Engages the autopilot into AUTO mode.			✓	✓	✓
LED*	Green for 1s indicates message acknowledged. Red for 1s indicates message is either rejected or not acknowledged.		✓	✓	✓	✓
	Green rapid flashes for up to 10s, followed by solid green for 1s. Red for 1s indicates message is either rejected or not acknowledged.				✓	

\* Note: In addition to the LED behaviour specified: Red will flash for 1s every 10s when battery level is low.