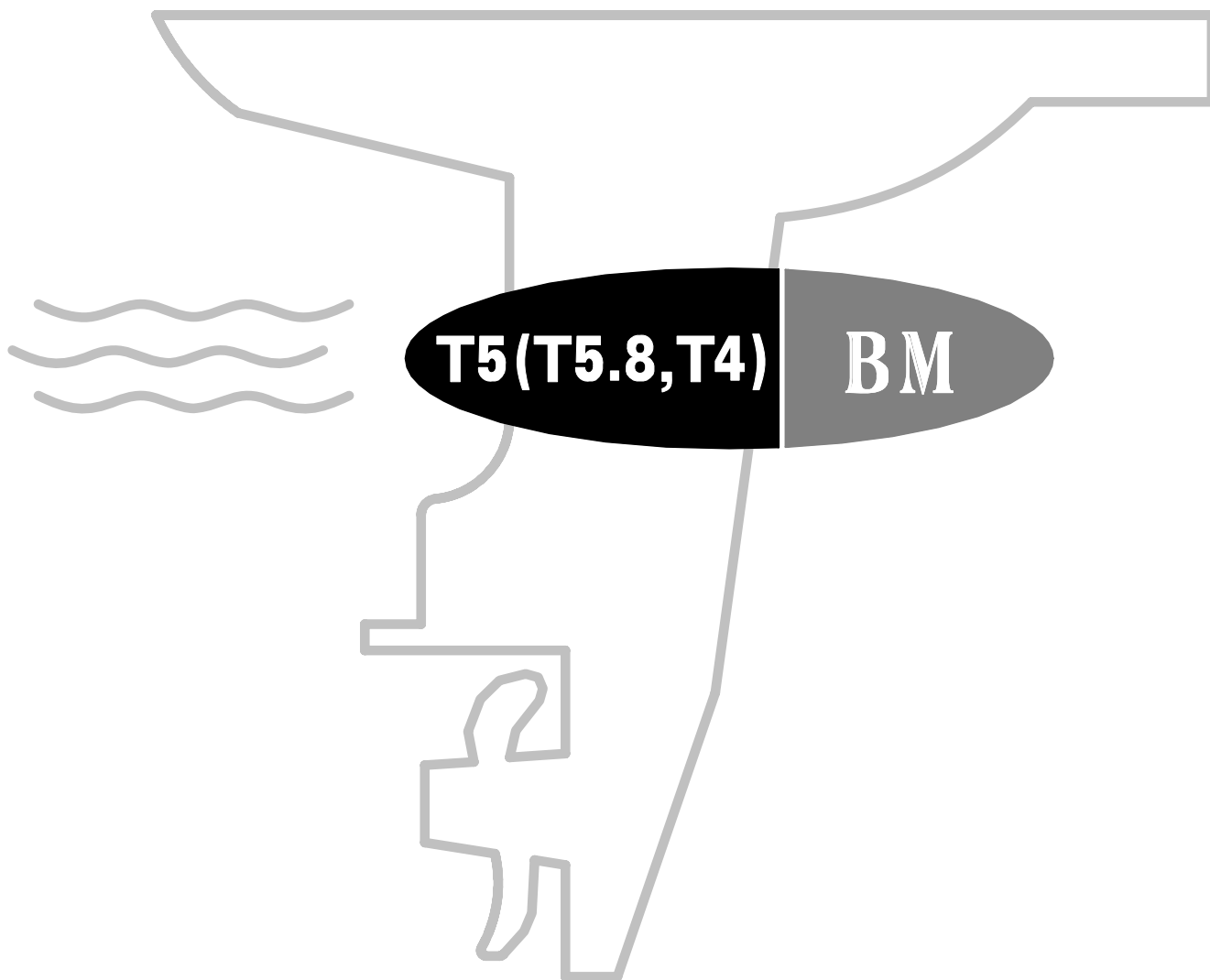


零件目录

**PARTS CATALOGUE**



苏州百胜动力机器有限公司

SUZHOU PARSUN POWER MACHINE CO., LTD

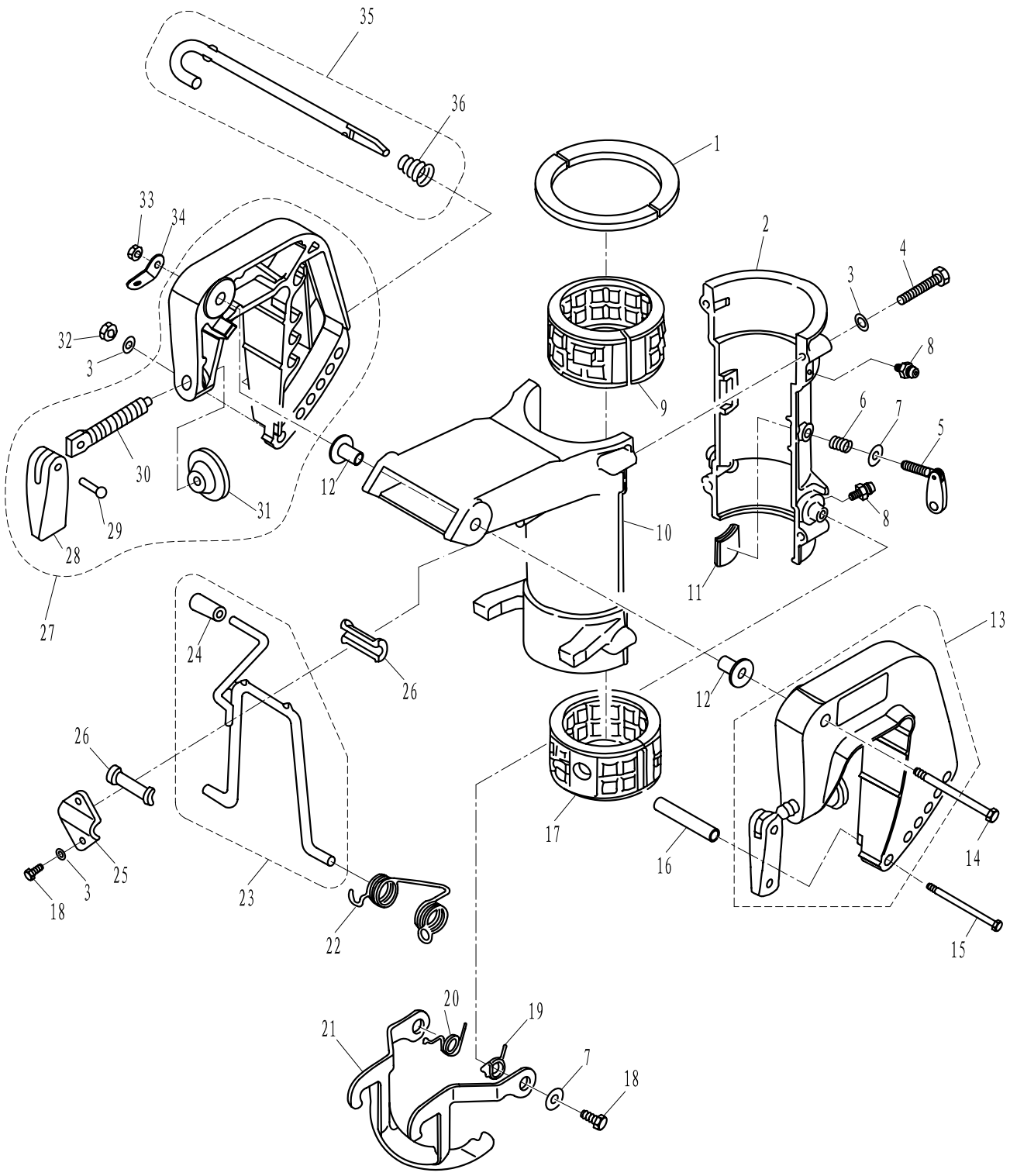
# 目次

## CONTENTS

托架 — — — — —	1 ~ 2
BRACKET — — — — —	1 ~ 2
操舵系统 — — — — —	3 ~ 4
STEERING — — — — —	3 ~ 4
水上装置壳体 — — — — —	5 ~ 6
UPPER CASING — — — — —	5 ~ 6
底罩 — — — — —	7
BOTTOM COWLING — — — — —	7
控制系统 — — — — —	8 ~ 9
CONTROL SYSTEM — — — — —	8 ~ 9
水下装置壳体&驱动系统 — — — — —	10 ~ 12
LOWER CASING & DRIVE — — — — —	10 ~ 12
电气系统 — — — — —	13 ~ 14
ELECTRICAL SYSTEM — — — — —	13 ~ 14
曲轴&活塞 — — — — —	15 ~ 16
CRANKSHAFT & PISTON — — — — —	15 ~ 16
曲轴箱 — — — — —	17 ~ 18
CRANKCASE — — — — —	17 ~ 18
燃油系统 — — — — —	19 ~ 20
FUEL SYSTEM — — — — —	19 ~ 20
化油器总成 — — — — —	21 ~ 22
CARBURETOR ASSY — — — — —	21 ~ 22
起动机 — — — — —	23 ~ 24
STARTER — — — — —	23 ~ 24
顶罩组件 — — — — —	25 ~ 26
TOP COWLING ASSY— — — — —	25 ~ 26
燃油箱 — — — — —	27
FUEL TANK— — — — —	27
发动机头总成(修理件) — — — — —	28 ~ 29
CYLINDER HEAD ASSY (REPARE KIT) — — — — —	28 ~ 29
附录1(修理件) — — — — —	30 ~ 31
APPENDIX 1(REPATE KIT) — — — — —	30 ~ 31
附录2(修理件) — — — — —	32
APPENDIX 2 (REPARE KIT) — — — — —	32

零部件名称: 托架

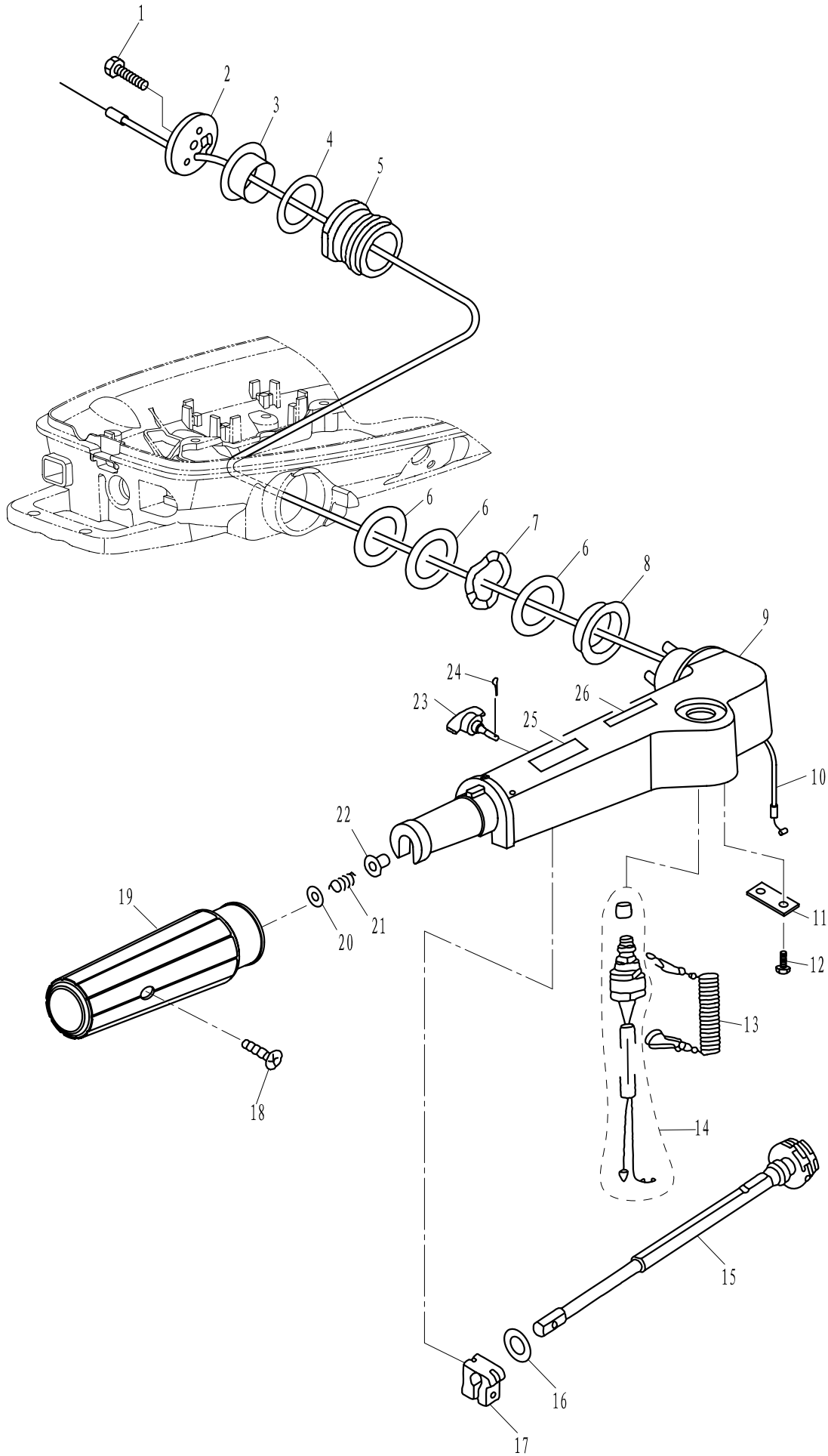
PARTS NAME: BRACKET





零部件名称: 操舵系统

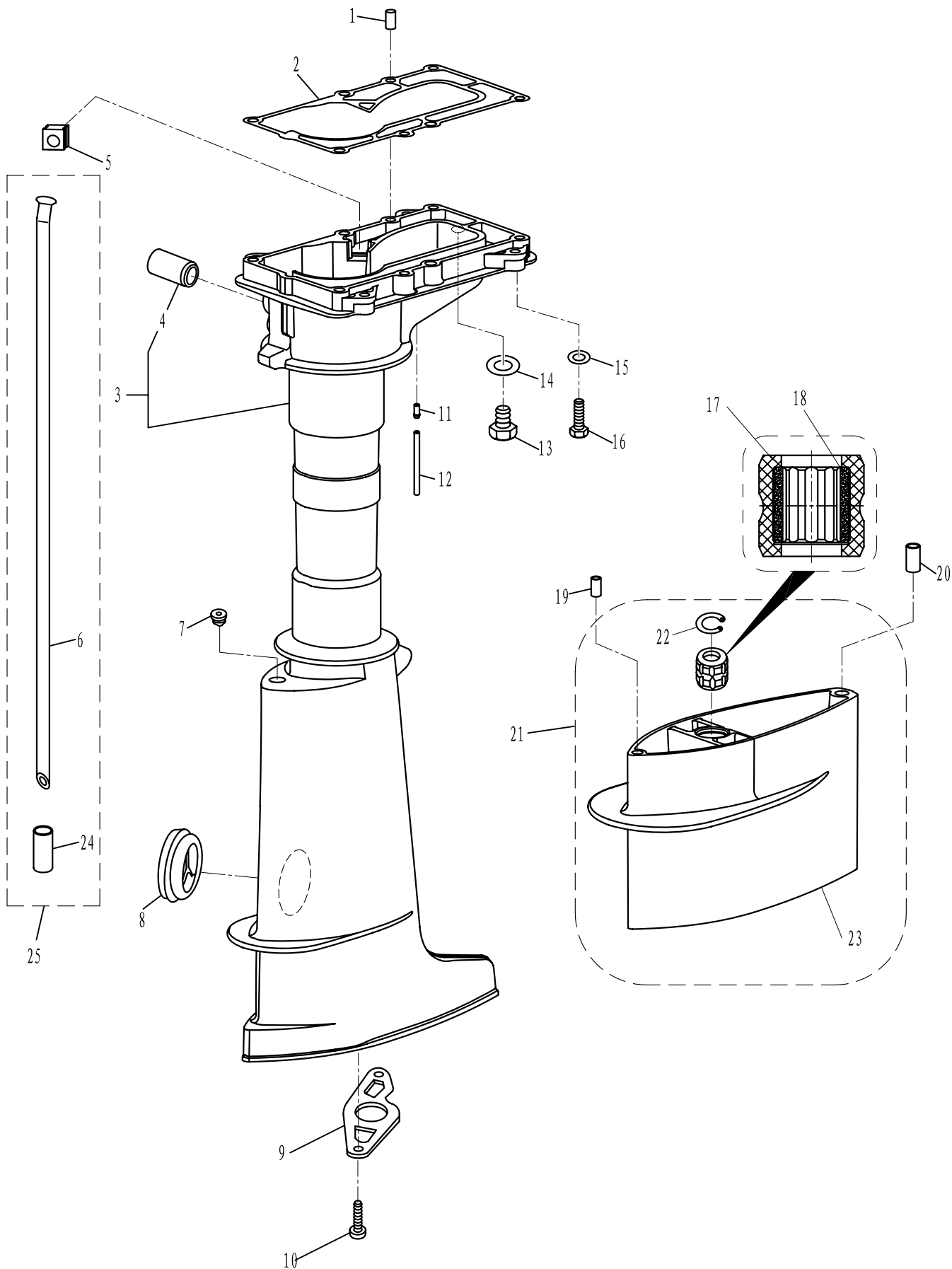
PARTS NAME: STEERING





零部件名称: 水上装置壳体

PARTS NAME: UPPER CASING

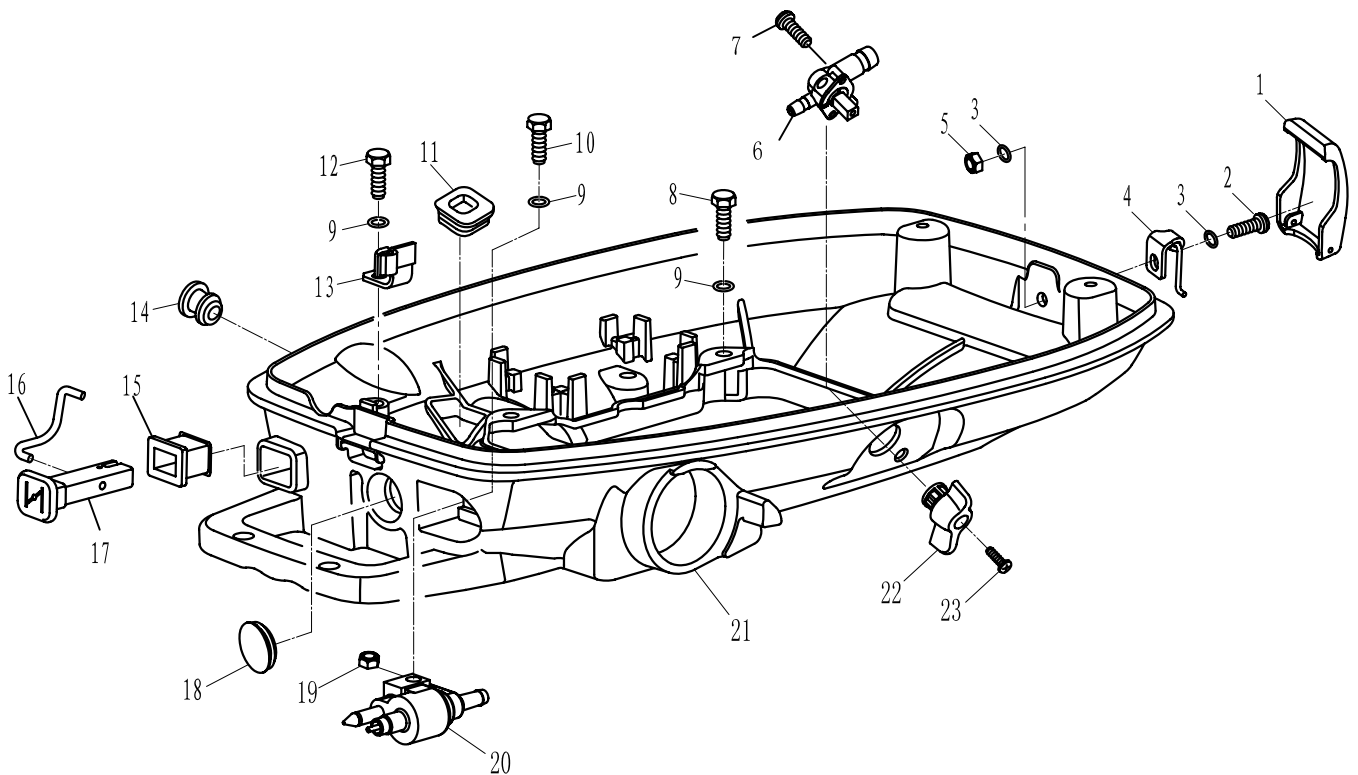






零部件名称: 底罩

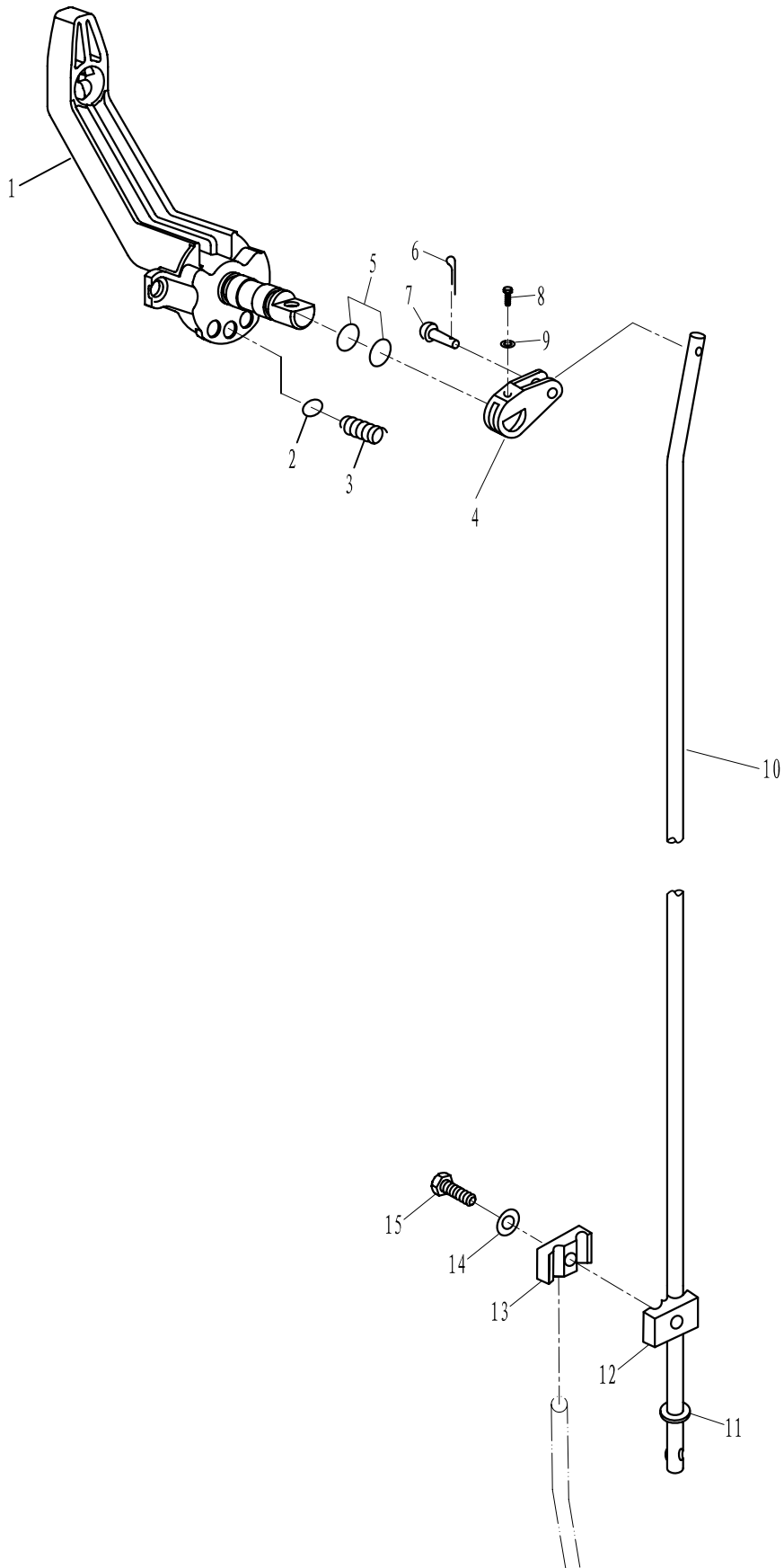
PARTS NAME: BOTTOM COWLING



SN. 参照号码	PART NO. 零件编号	DESCRIPTION 零件名称 (中文)	DESCRIPTION 零件名称 (英文)	QTY 数量				REMARKS 备注
1	F4-05000023	顶罩锁紧钩	HOOK, LOCK	1				
2	GB/T818-M5x16	十字槽盘头螺钉 M5x16	SCREW, PAN HEAD M5x16	1				
3	GBT97.1-5	平垫圈 5	WASHER 5	2				
4	F4-05000020	顶罩锁紧钩座组件	SEAT ASSY, LOCKING HOOK	1				
5	GB/T889.1-M5	非金属嵌件六角锁紧螺母M5	LOCKNUT M5	1				
6	T5-04000100	燃油开关组件	OIL SWITCH ASSY	1				
7	GB/T818-M6x16	十字槽盘头螺钉M6x16	SCREW, PAN HEAD M6x16	2				
8	GB/T5783-M6x16	六角螺栓 M6x16	BOLT M6x16	4				
9	GBT97.1-6	平垫圈 6	WASHER 6	6				
10	GB/T5783-M6x25	六角螺栓 M6x25	BOLT M6x25	1				
11	T5-04000010	连杆橡胶圈	RUBBER LOOP, CONNECTING ROD	1				
12	GB/T5783-M6x10	六角螺栓 M6x10	BOLT M6x10	1				
13	T5-04000300	油门钢索固定架	PLATE, TIGHTWIRE	1				
14	T5-04000014	圆形堵头B	CIRCULAR PLUG B	1				
15	T5-04000013	阻风门橡胶套	BUSH, AIR CHOKE	1				
16	T5-04000012	阻风门连杆	CONNECTING ROD, AIR CHOKE	1				
17	T5-04000008	阻风门手柄	HANDLE, AIR CHOKE	1				
18	T5-04000011	圆形堵头A	CIRCULAR PLUG A	1				
19	GB/T6170-M6	六角螺母 M6	NUT M6	1				
20	F4-05000200	燃油管接头组件	FUEL CONNECTOR ASSY	1				
21	T5-04000001	底罩	BOTTOM COWLING	1				
22	T5-04000102	油开关旋钮	KNOB, OIL SWITCH	1				
23	GB/T818-M4x12	十字槽盘头螺钉M4x12	SCREW, PAN HEAD M4x12	1				

零部件名称: 控制系统

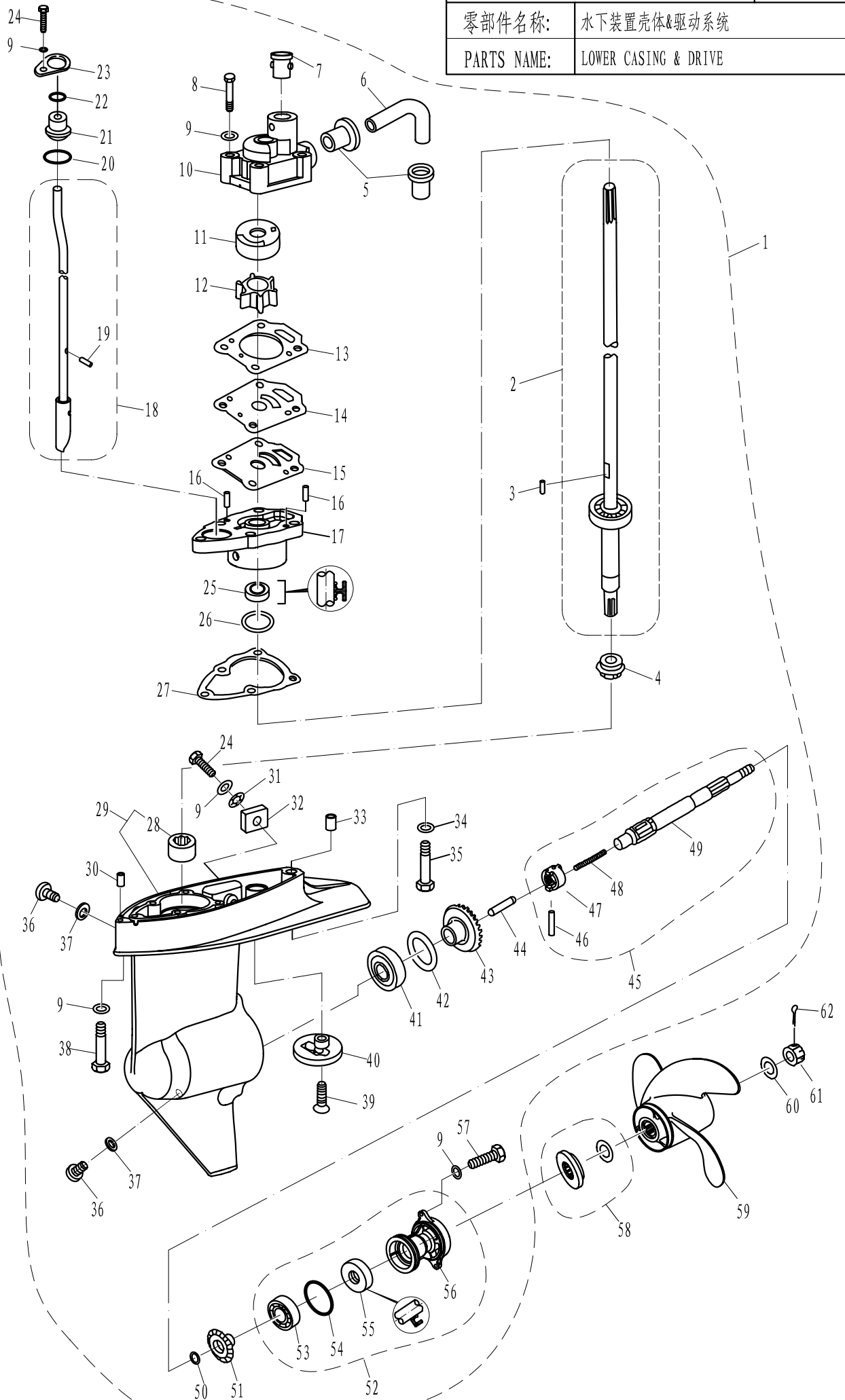
PARTS NAME: CONTROL SYSTEM





零部件名称: 水下装置壳体&驱动系统

PARTS NAME: LOWER CASING & DRIVE



零部件名称:

水下装置壳体&amp;驱动系统

PARTS NAME:

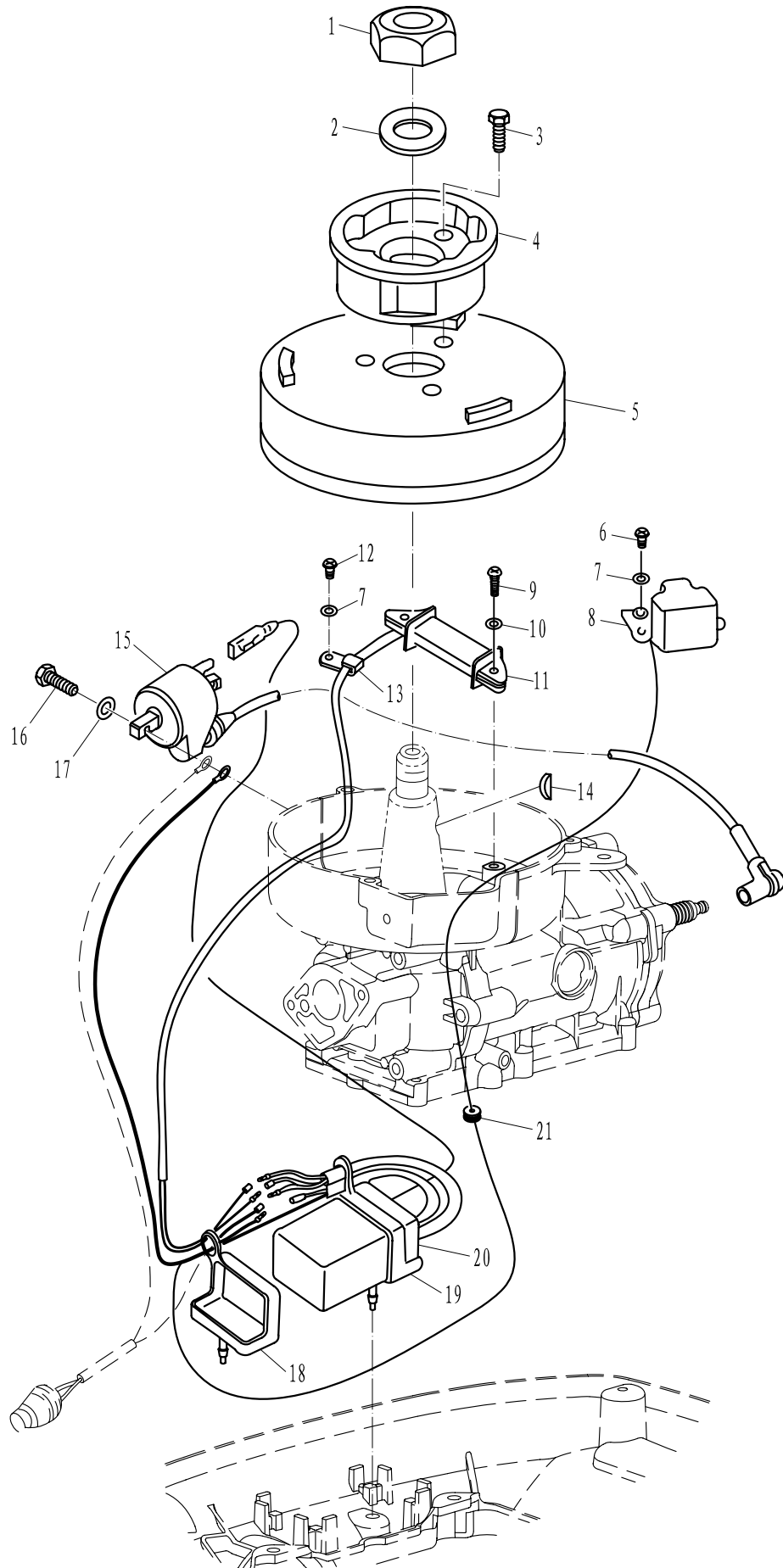
LOWER CASING &amp; DRIVE

SN. 参照号码	PART NO. 零件编号	DESCRIPTION 零件名称(中文)	DESCRIPTION 零件名称(英文)	QTY 数量					REMARKS 备注
1	T5-03000000	水下装置壳体总成(L)	LOWER CASING ASSY(L)	1					
	T5-03000000	水下装置壳体总成(S)	LOWER CASING ASSY(S)	1					
2	T5-03020000(L)	驱动轴组件(L)	DRIVE SHAFT ASSY(L)	1					
	T5-03020000(S)	驱动轴组件(S)	DRIVE SHAFT ASSY(S)	1					
3	T5-03000009	叶轮定位销	DOWEL PIN, IMPELLER	1					
4	T5-03000003	小齿轮	PINION	1					
5	T5-03000013	水管导向套A	SEAL A, WATER PIPE	2					
6	T5-03000012	进水管B	WATER PIPE B	1					
7	T5-03000014	水管导向套B	SEAL B, WATER PIPE	1					
8	GB/T5782-M6x45	六角螺栓 M6x45	BOLT M6x45	4					
9	GB/T97.1-6	平垫圈6	WASHER 6	9					
10	T5-03000010	水泵壳体	WATER PUMP	1					
11	T5-03000011	水泵内壳	INNER SHELL, WATER PUMP	1					
12	T5-03000300	水泵叶轮	IMPELLER, WATER PUMP	1					
13	T5-03000008	外挡板上密封垫	GASKET, OUTER PLATE	1					
14	T5-03000007	外挡板	OUTER PLATE	1					
15	T5-03000006	外挡板下密封垫	GASKET, OUTER PLATE	1					
16	F25-04000007	定位销 $\varnothing 4 \times 10$	PIN $\varnothing 4 \times 10$	2					
17	T5-03000201	水泵座	WATER PUMP SEAT	1					
18	T5-03000100(L)	变档凸轮轴组件(L)	CAM ASSY, SHIFT ROD(L)	1					
	T5-03000100(S)	变档凸轮轴组件(S)	CAM ASSY, SHIFT ROD(S)	1					
19	GB/T879.2-1.5x12	轻型直槽弹性圆柱销 1.5X12	PIN 1.5x12	1					
20	JISB2401 P16	O型圈15.8x2.4	O-RING 15.8x2.4	1					
21	T5-03000020	变档轴导向套	ORIENTED BUSHING, SHIFT ROD	1					
22	T5-03000022	导向套密封圈B	SEAL B, ORIENTED BUSHING	1					
23	T5-03000023	导向套固定板	PLATE, ORIENTED BUSHING	1					
24	GB/T5783-M6x16	六角螺栓 M6x16	BOLT M6x16	2					
25	T5-03000202	水泵座油封	OIL SEAL, WATER PUMP SEAT	1					
26	T5-03000004-1	驱动轴填隙片 0.10mm	SHIM 0.10mm						
	T5-03000004-2	驱动轴填隙片 0.15mm	SHIM 0.15mm						
27	T5-03000005	水泵座密封垫	GASKET, WATER PUMP SEAT	1					
28	TLA1412Z	滚针轴承	NEEDLE BEARING	1					
29	T5-03000700	水下装置壳体组件	LOWER CASING ASSY	1					
30	T5-00000001	空心定位销 $\Phi 7.5 \times 10$	HOLLOW PIN $\Phi 7.5 \times 10$	1					
31	GB/T861.1-6	内齿锁紧垫圈6	LOCK WASHER 6	1					
32	T5-03000017	水下阳极	ANODE	1					
33	T5-00000002	空心定位销 $\Phi 9.5 \times 10$	HOLLOW PIN $\Phi 9.5 \times 10$	1					
34	GB/T97.1-8	平垫圈 8	WASHER 8	1					
35	GB/T5782-M8x40	六角螺栓 M8x40	BOLT M8x40	1					S
	GB/T5782-M8x167	六角螺栓 M8x167	BOLT M8x167	1					L
36	F4-03000023	注油孔螺栓	PLUG, OIL HOSE	2					
37	F4-03000024	注油孔螺栓密封垫	GASKET	2					
38	GB/T5782-M6x45	六角螺栓 M6x45	BOLT M6x45	1					S



零部件名称: 电气系统

PARTS NAME: ELECTRICAL SYSTEM

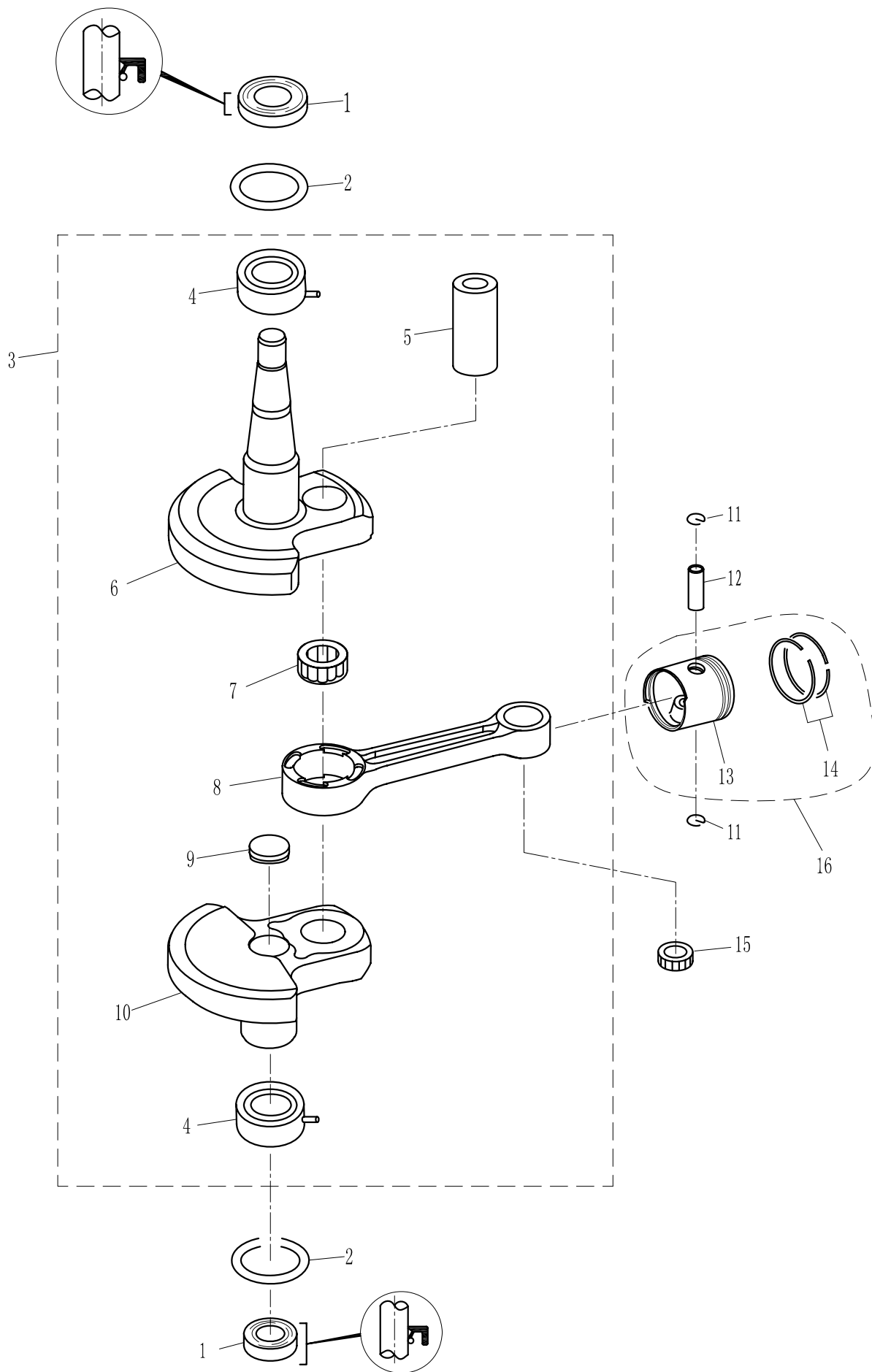






零部件名称: 曲轴&活塞

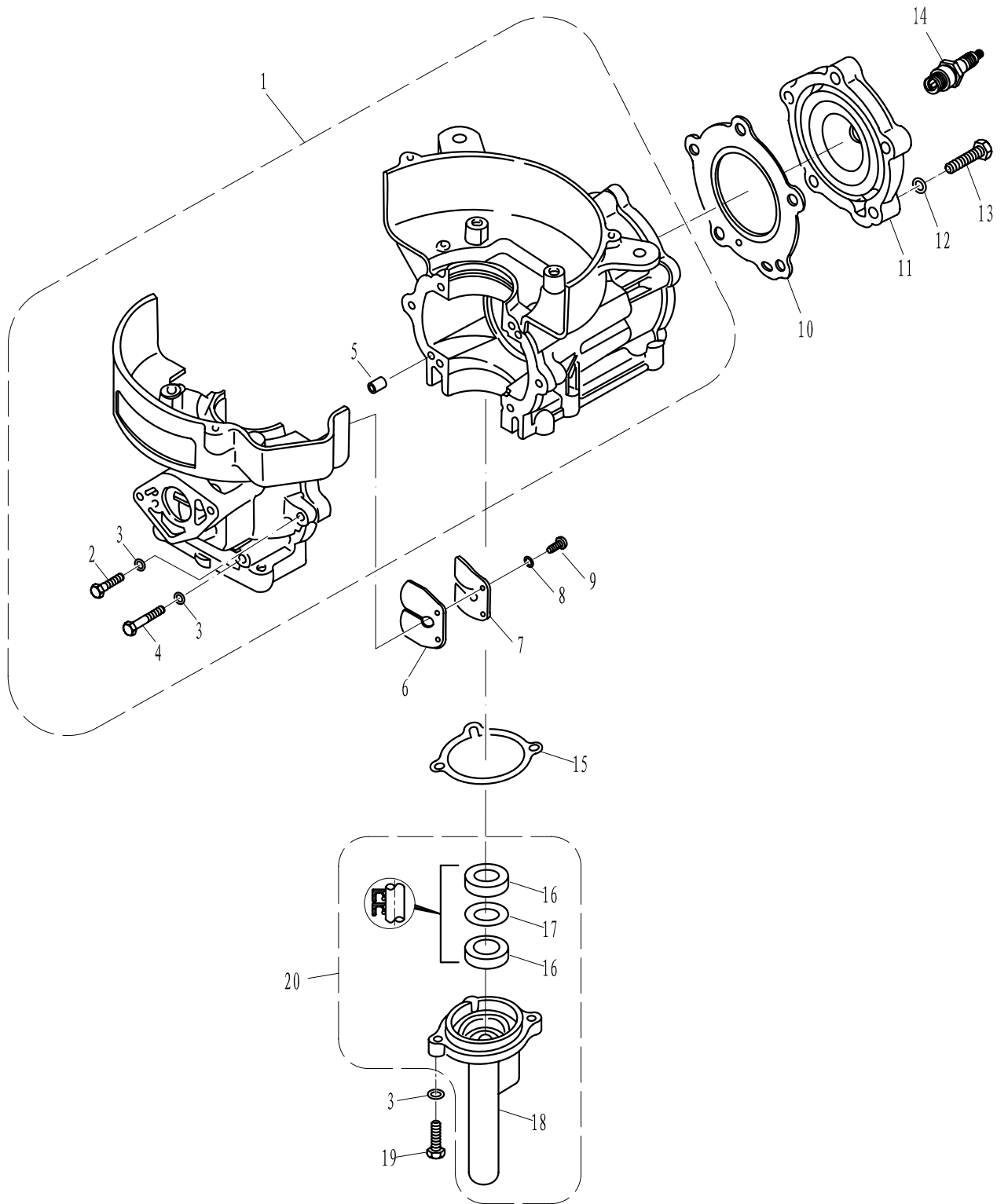
PARTS NAME: CRANKSHAFT & PISTON





零部件名称: 曲轴箱

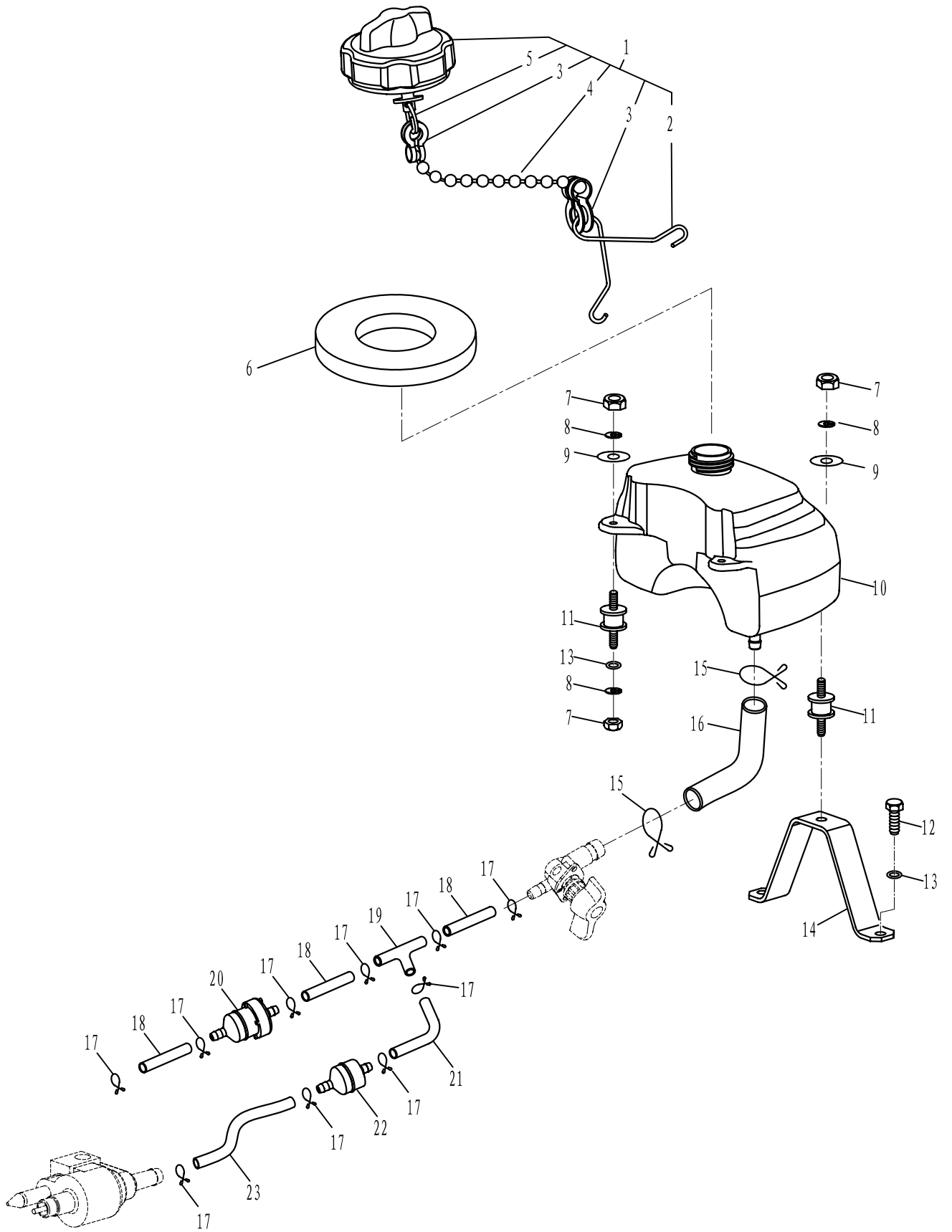
PARTS NAME: CRANKCASE





零部件名称: 燃油系统

PARTS NAME: FUEL SYSTEM



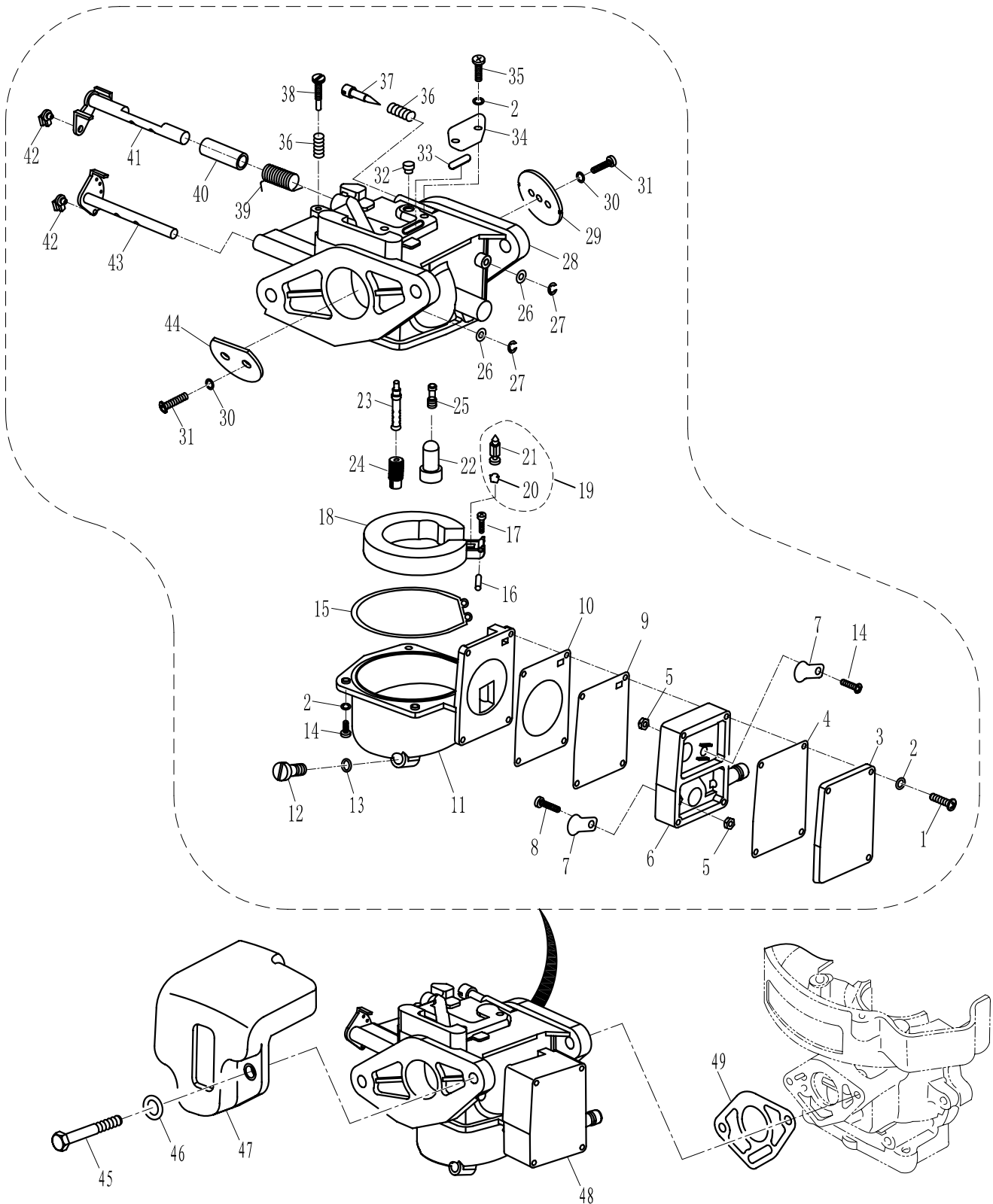


零部件名称:

化油器总成

PARTS NAME:

CARBURETOR ASSY



SN. 参照号码	PART NO. 零件编号	DESCRIPTION 零件名称(中文)	DESCRIPTION 零件名称(英文)	QTY 数量				REMARKS 备注
1	GB/T818-M4x22	十字槽盘头螺钉M4x22	SCREW M4x22	4				
2	GB/T93-4	弹性垫圈 4	SPRING-WASHER 4	10				
3	T8-05000834	燃油泵盖	COVER, FUEL PUMP	1				
4	T8-05000833	燃油泵盖密封垫	GASKET, FUEL PUMP COVER	1				
5	GB/T6170-M3	六角螺母 M3	NUT M3	2				
6	T15-04060304	燃油泵壳	FUEL PUMP SHELL	1				

零部件名称:

化油器总成

PARTS NAME:

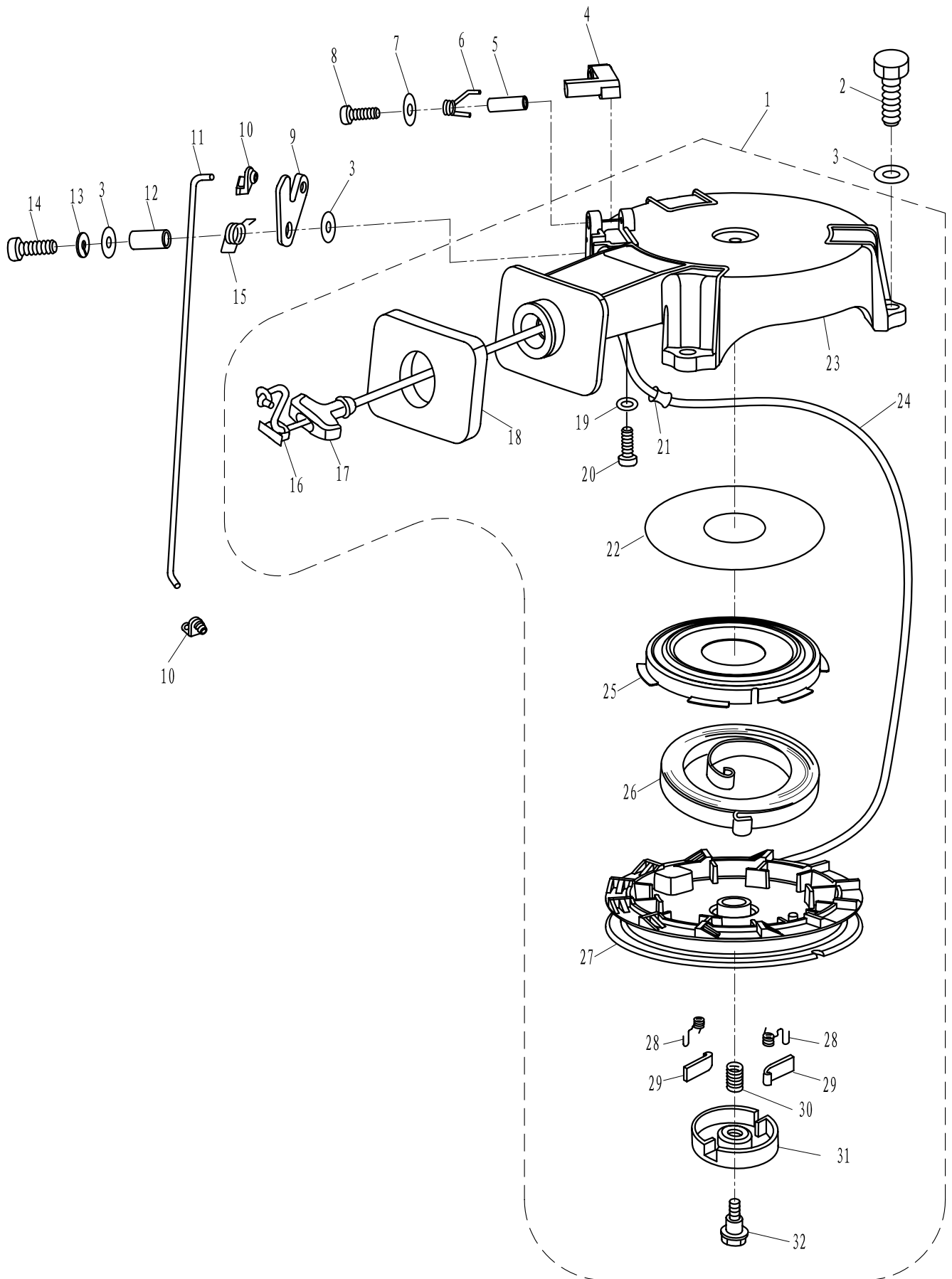
CARBURETOR ASSY

SN. 参照号码	PART NO. 零件编号	DESCRIPTION 零件名称(中文)	DESCRIPTION 零件名称(英文)	QTY 数量					REMARKS 备注
7	F4-04090005	单向阀片	CHECK VALVE	2					
8	F4-04090011	阀片螺钉	SCREW M3x5	2					
9	T8-05000826	燃油泵隔膜	DIAPHRAGM, FUEL PUMP	1					
10	T8-05000829	燃油泵壳密封垫	GASKET, FUEL PUMP	1					
11	T5-05000501	油杯本体	OIL CUP	1					
12	T8-05000824	放油螺塞	DRAIN SCREW	1					
13	T8-05000825	放油螺塞垫片	GASKET	1					
14	GB/T818-M4x14	十字槽盘头螺钉M4x14	BOLT M4x14	4					
15	T8-05000822	油杯本体密封垫	GASKET, OIL CUP	1					
16	T5-05000502	浮子销	PIN, FLOAT	1					
17	GB/T818-M4x6	十字槽盘头螺钉M4x6	BOLT M4x6	1					
18	T5-05000503	浮子	FLOAT	1					
19	T5-05000504	针阀组件	NEEDLE VALVE ASSY	1					
20	T5-05000505-2	针阀弹簧	SPRING, NEEDLE VALVE	1					
21	T5-05000505-1	针阀	NEEDLE VALVE	1					
22	T5-05000506	胶帽	RUBBER CAP	1					
23	T5-05000507	主喷嘴	MIAN NOZZLE	1					
24	T5-05000508	主量孔	MIAN JET	1					
25	T5-05000509	空气减速量孔	SLOW JET	1					
26	T5-05000510	摆杆垫圈	WASHER, SWING LINK	2					
27	GB/T896-4	开口挡圈 4	CIRCLIP 4	2					
28	T5-05000511	化油器本体	CARBURETOR	1					
29	T5-05000512	油门挡板	APRON, ACCELERATOR	1					
30	GB/T93-3	弹性垫圈 3	SPRING-WASHER 3	3					
31	GB/T818-M3x5	十字槽盘头螺钉M3x5	BOLT M3x5	3					
32	T5-05000513	堵头	PLUG	1					
33	T5-05000514	橡胶板	RUBBER PLATE	1					
34	T5-05000515	面板	PLATE	1					
35	GB/T818-M4x10	十字槽盘头螺钉 M4x10	BOLT M4x10	2					
36	T5-05000516	调节螺钉弹簧	SPRING	2					
37	T5-05000517	怠速螺钉	IDLE SCREW	1					
38	T5-05000518	油门停止螺钉	STOP SCREW	1					
39	T5-05000519	油门摆杆扭簧	TWIST SPRING	1					
40	T5-05000520	油门摆杆垫管	PIPE, SWING LINK	1					
41	T5-05000521	油门摆杆组件	ACCELERATOR BAR ASSY	1					
42	T5-05000522	油门控制器连杆接头	TIE-IN,	2					
43	T5-05000523	阻风门摆杆组件	ROD ASSY, AIR STRANGER	1					
44	T5-05000524	阻风门挡板	APRON, AIR STRANGER	1					
45	GB/T5783-M6x85	六角螺栓 M6x85	BOLT M6x85	2					
46	GB/T96-6	大垫圈 6	BIG WASHER 6	2					
47	T5-05000008	进气消音器	SILENCER	1					
48	T5-05000500	化油器总成	CARBURETOR ASSY	1					
49	T8-05000012	化油器密封垫	GASKET, CARBURETOR	1					



零部件名称: 起动机

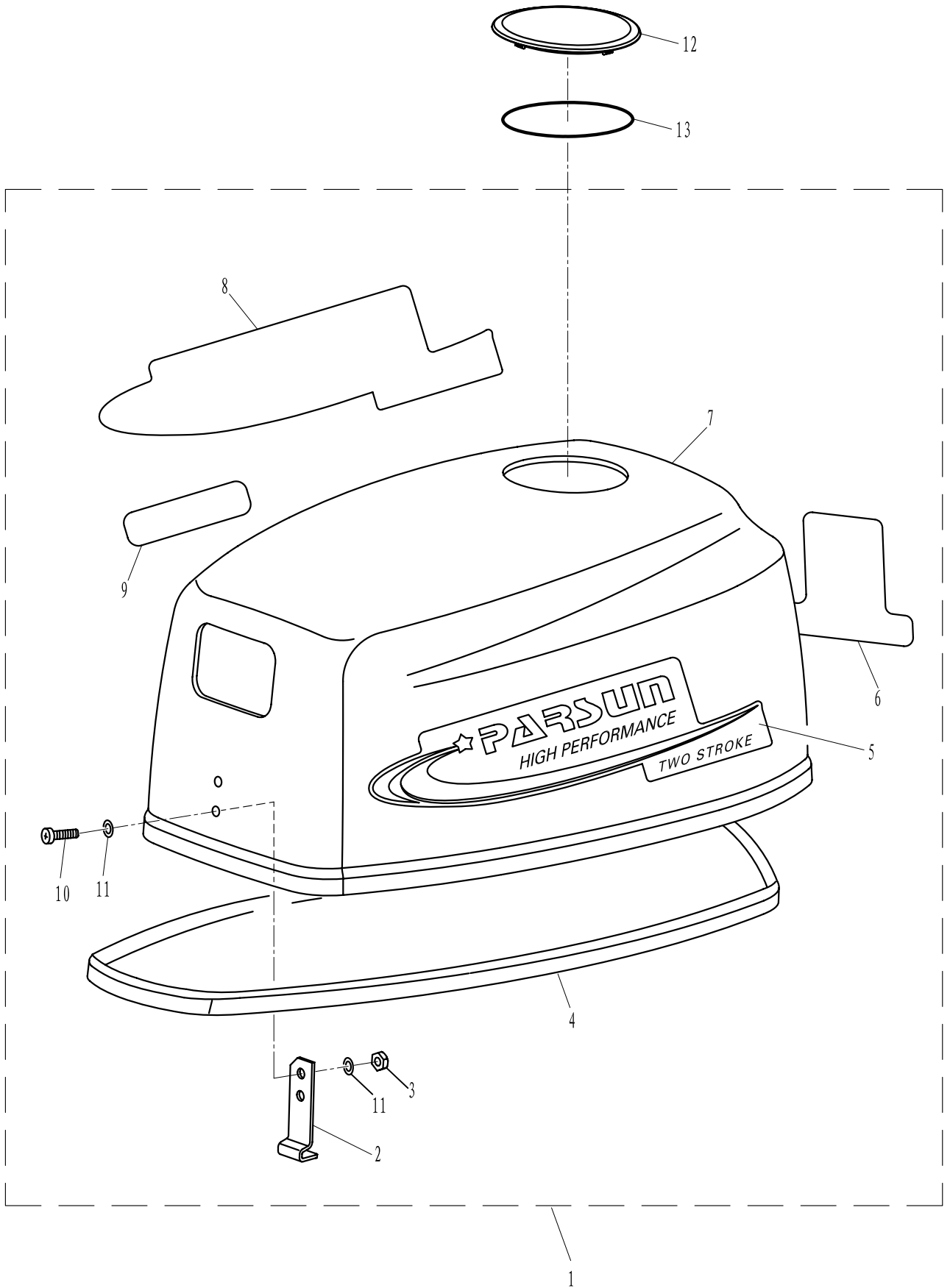
PARTS NAME: STARTER





零部件名称: 顶罩组件

PARTS NAME: TOP COWLING ASSY

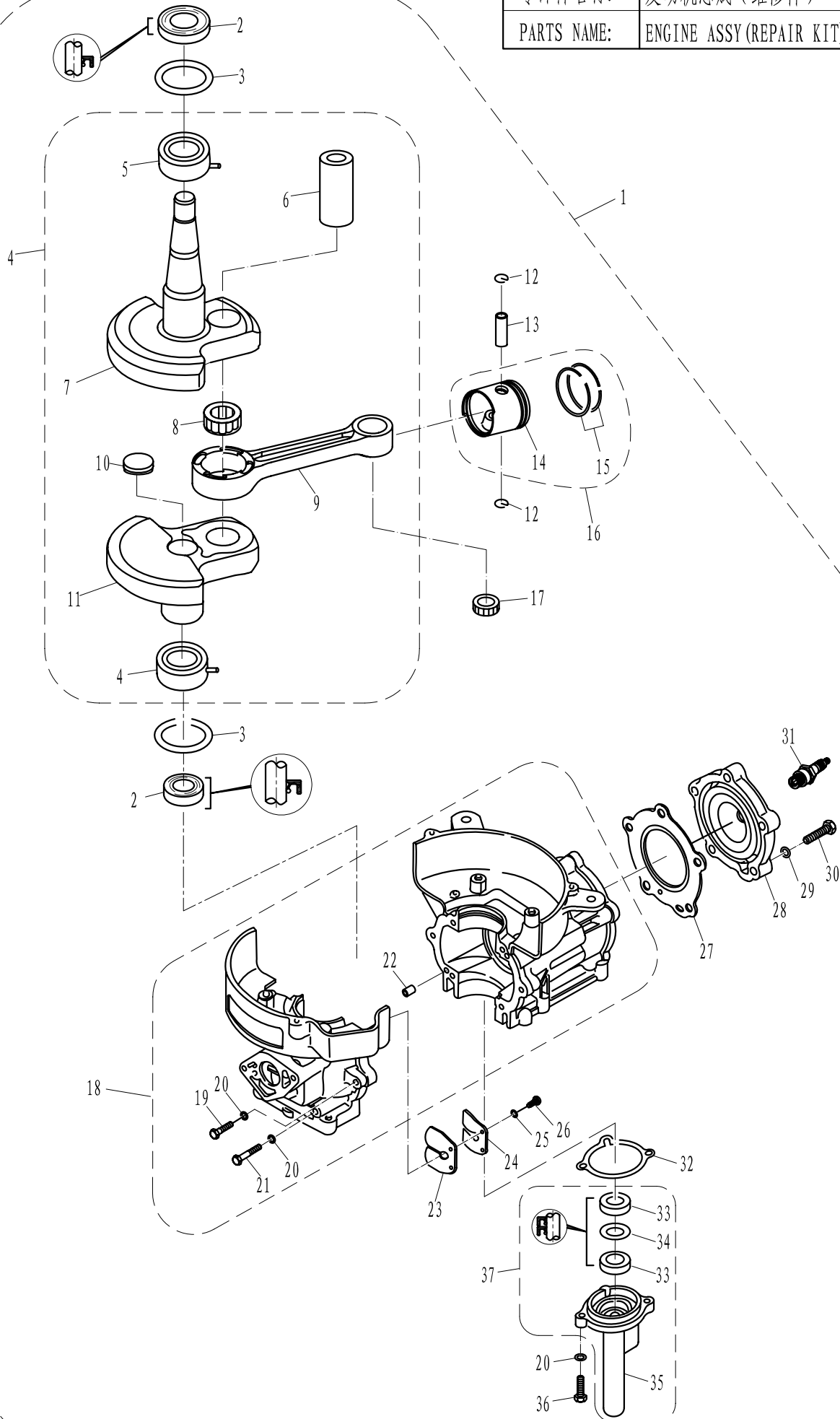






零部件名称: 发动机总成 (维修件)

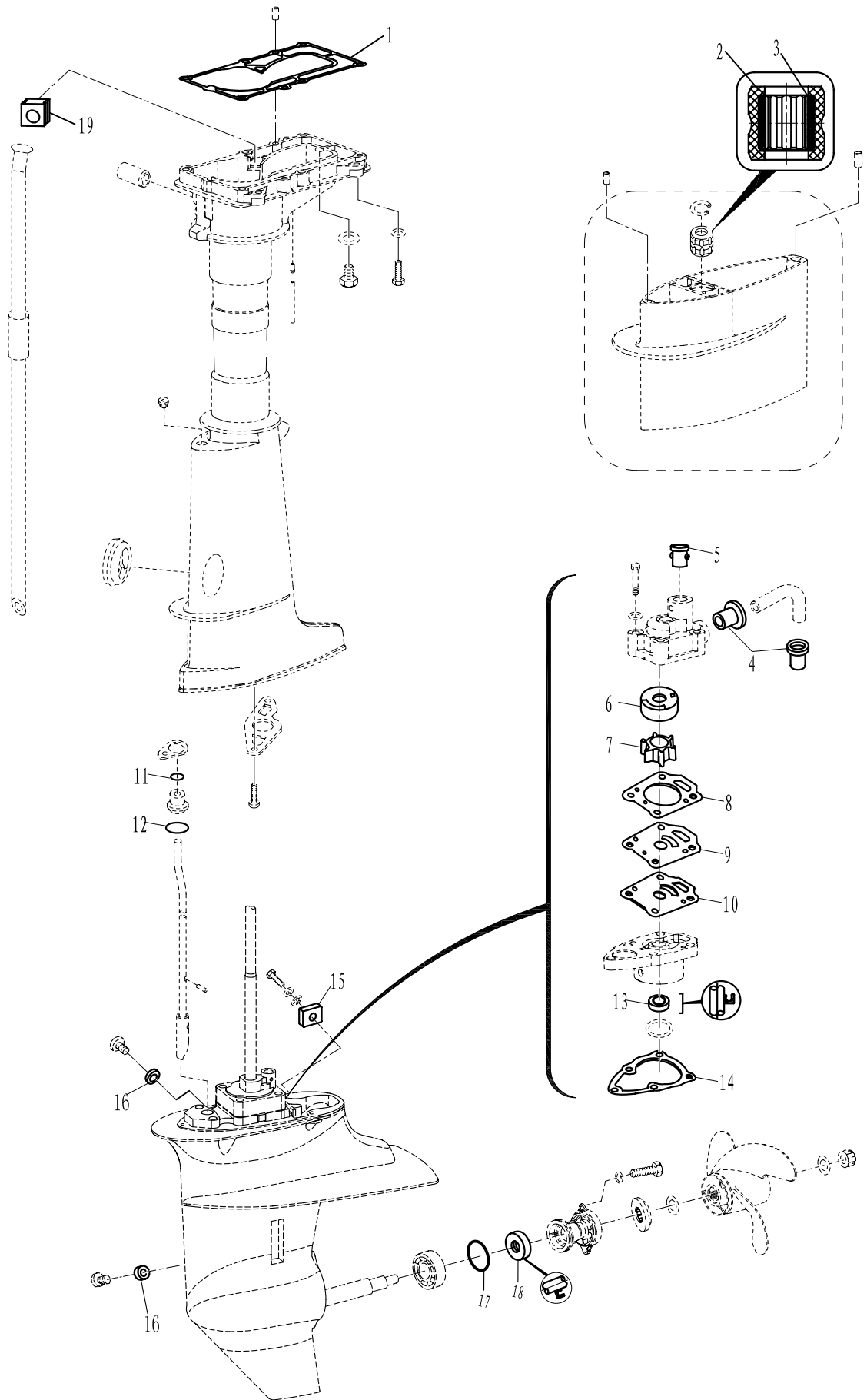
PARTS NAME: ENGINE ASSY(REPAIR KIT)





零部件名称: 附件 I (修理件)

PARTS NAME: APPENDIX I (REPAIR KIT)

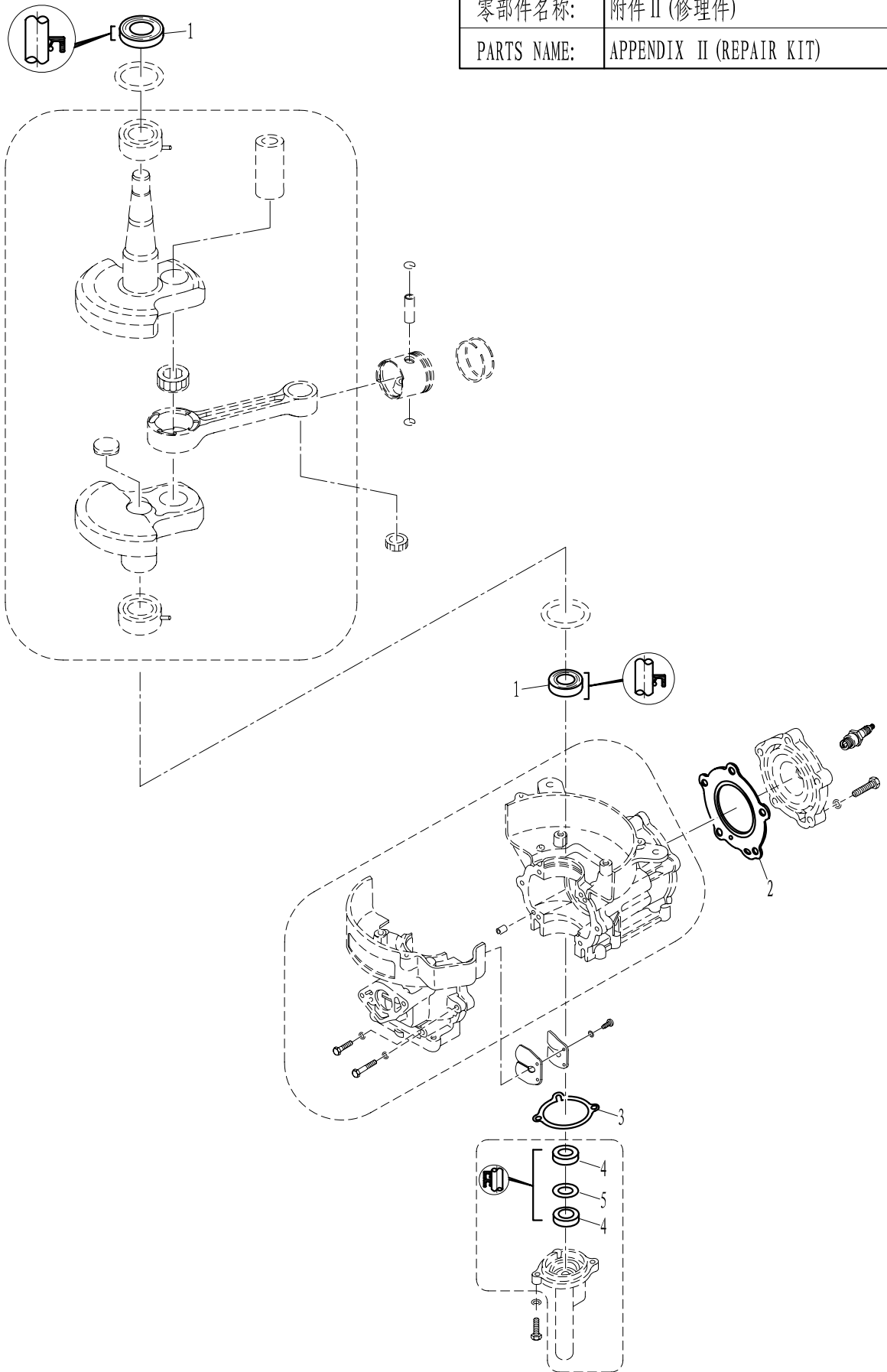






零部件名称: 附件 II (修理件)

PARTS NAME: APPENDIX II (REPAIR KIT)



SN. 参照号码	PART NO. 零件编号	DESCRIPTION 零件名称 (中文)	DESCRIPTION 零件名称 (英文)	QTY 数量				REMARKS 备注
1	T5-05010002	曲轴油封 20x47x8	OIL SEAL 20x47x8	2				
2	T5-05000001	缸头复合垫	GASKET, CYLINDER HEAD	1				
3	T5-05030004	油封壳体密封垫	GASKET, OIL SEAL CASING	1				
4	T5-05030002	油封壳体油封 10.1x25x7	OIL SEAL 10.1x25x7	2				
5	T5-05030003	油封垫圈	WASHER, OIL SEAL	1				