

DIMENSION (cm)

Lenght overall 330
 Lenght inside 235
 Wight overall 165
 Winght inside 78

CAPACITY

Passengers capacity 4
 Max loading capacity (kg) 600
 Boat weight (kg) 36

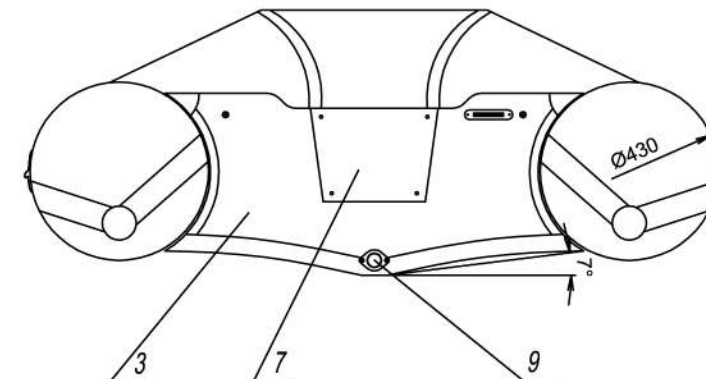
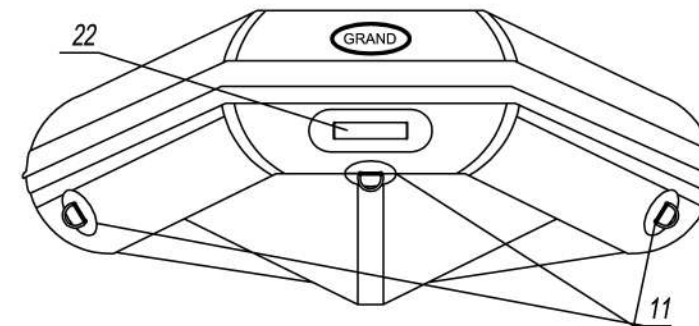
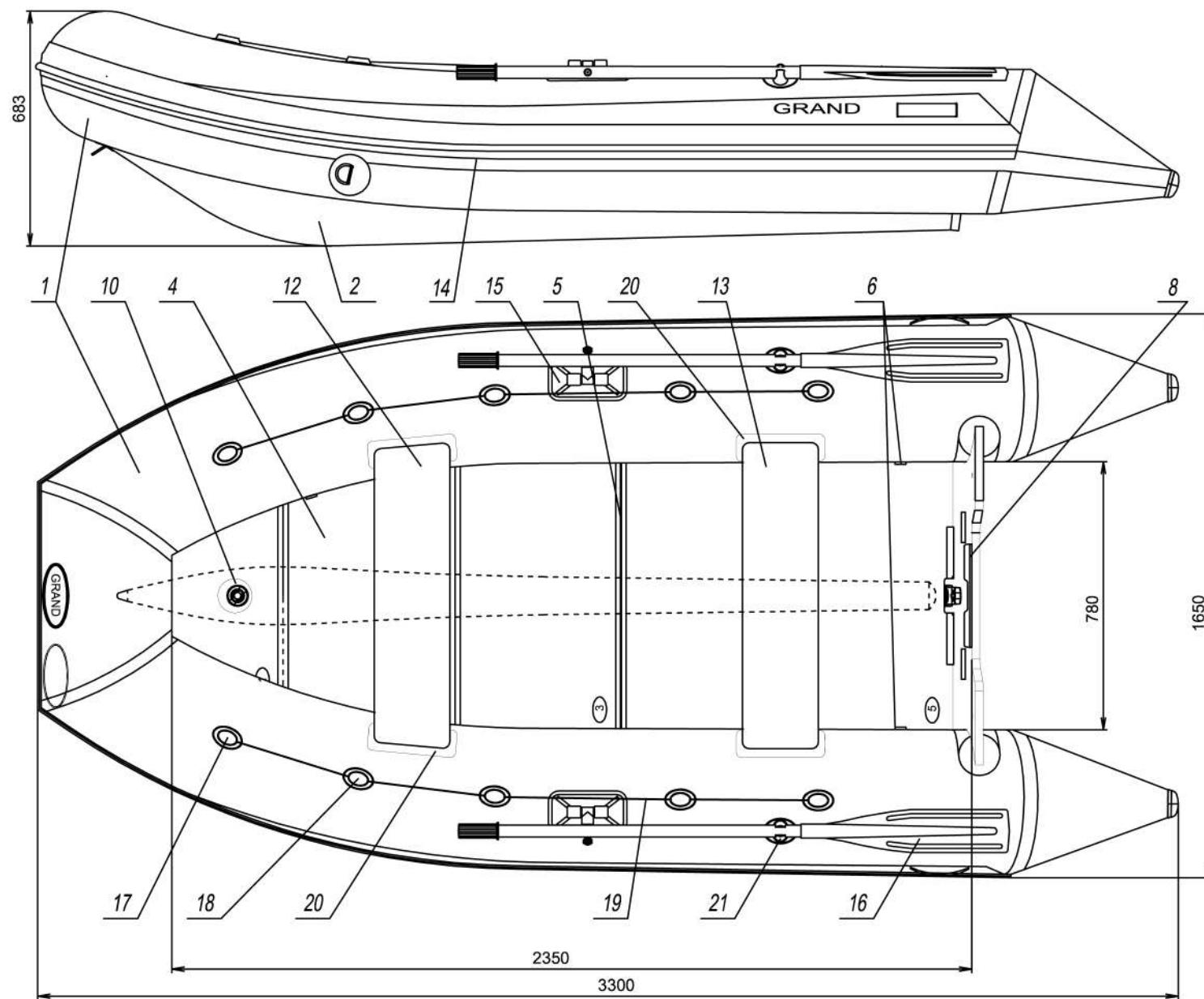
TUBE

Tube diametr (cm) 43
 No of chambers 3+2
 Tube volume (m*3) 0.86

Engine max (HP) 20
 Engine recommended (HP) 15

Item	Item No	Description	Qty	Note
1	1260.01	Inflatable tube for C330	1	
2	1260.02	V-shape bottom	1	
3	1260.03	Integral marine grade ply transom	1	
4	4583	Airdeck	1	
5	4139	Inflation-deflation valve BRAVO-2005	3	
6	4422	Motor plate extremal N3	1	
7	4411	Motor plate internal 270x98	1	
8	4448	Pull up drain valve	1	
9	4593	Inflatable keel	1	
10	4259	Towing bow eye	3	
11	4501	Wooden seat N1 grey	1	
12	4504	Wooden seat N2 grey	1	
13	4264	Rubbing strake, 100 mm	1	
14	4262	Oarlockt	2	
15	4102	Oar 160 cm ith rivert	2	
16	4257	Lifeline holder (end)	4	
17	4258	Lifeline holder (middle)	6	
18	4266	Lifeline, D 10mm	2	
19	4254	Wooden seat holder N1	4	
20	4256	Oar holder	2	
21	4250	PVC handle grey / grey insertion	1	

UNLESS OTHERWISE SPECIFIED: DIMENSIONS ARE IN MILLIMETERS		FINISH:		DETAILS AND BREAK SHARP EDGES		DO NOT SCALE DRAWING		REVISION	
SURFACE FINISH:									
TOLERANCES:									
LINEAR:									
ANGULAR:									
DRAWN	NAME	SIGNATURE	DATE					Corvette C330A	
CHKD	Kruglyak								
APPVD	Drobyazko								
	Grebennikov								
MFG									
Q.A.						MATERIAL:		1261	
						WEIGHT:		SCALE:1:1	SHEET 1 OF 1



Item	Item No	Description	Q-ty	Note
	1	Inflatable tube for C330	1	
	2	V-shape bottom for C330	1	
	3	Integral marine grade ply transom for C330	1	
	4	4563 Floorboards set for C330	1	
	5	4573 Aluminium beams set for C330	1	
	6	4139 Inflation-deflation valve BRAVO-2005	3	
	7	4422 Motor plate extremal N3	1	
	8	4411 Motor plate internal 270x98	1	
	9	4448 Pull up drain valve	1	
	10	4593 Inflatable keel for C330	1	
	11	4259 Towing eye, PVC	3	
	12	4502 Wooden seat N1 grey	1	
	13	4504 Wooden seat N2 grey	1	
	14	4264 Rubbing strake, 100 mm	1	
	15	4262 Oarlockt	2	
	16	4102 Oar 160 cm ith rivert	2	
	17	4257 Lifeline holder (end)	4	
	18	4258 Lifeline holder (middle)	6	
	19	4266 Lifeline, D 10mm	2	
	20	4254 Wooden seat holder N1	4	
	21	4256 Oar holder	2	
	22	4250 PVC handle grey / grey insertion	1	

DIMENSION (cm)

Lenght overall	330
Lenght inside	235
Wight overall	165
Winght inside	78

CAPACITY

Passengers capacity	4
Max loading capacity (kg)	600
Boat weight (kg)	60

TUBE

Tube diametr (cm)	43
No of chambers	3+1
Tube volume (m*3)	0.86

Engine max (HP)	20
Engine recommended (HP)	15

UNLESS OTHERWISE SPECIFIED: DIMENSIONS ARE IN MILLIMETERS		FINISH:		DESUR AND BIBIAK SHARP EDGES		DO NOT SCALE DRAWING		REVISION	
TOLERANCES: LINEAR: ANGULAR:									
NAME	SIGNATURE	DATE				Corvette C330 1260			
DRAWN	Kruglyak								
CHKD	Drobyazko								
APPRVD	Grebennikov								
MFG									
Q.A.						MATERIAL:			
						WEIGHT:		SCALE:1:1	
						SHEET 1 OF 1			