

DIMENSION (cm)

Lenght overall 240
 Lenght inside 165
 Wight overall 140
 Winght inside 69

CAPACITY

Passengers capacity 2
 Max loading capacity (kg) 300
 Boat weight (kg) 24

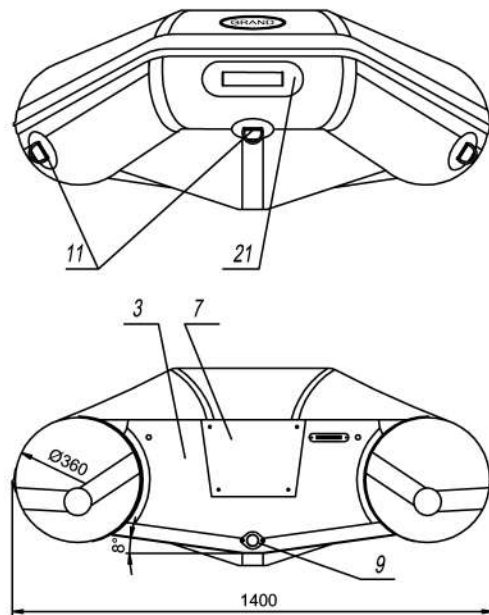
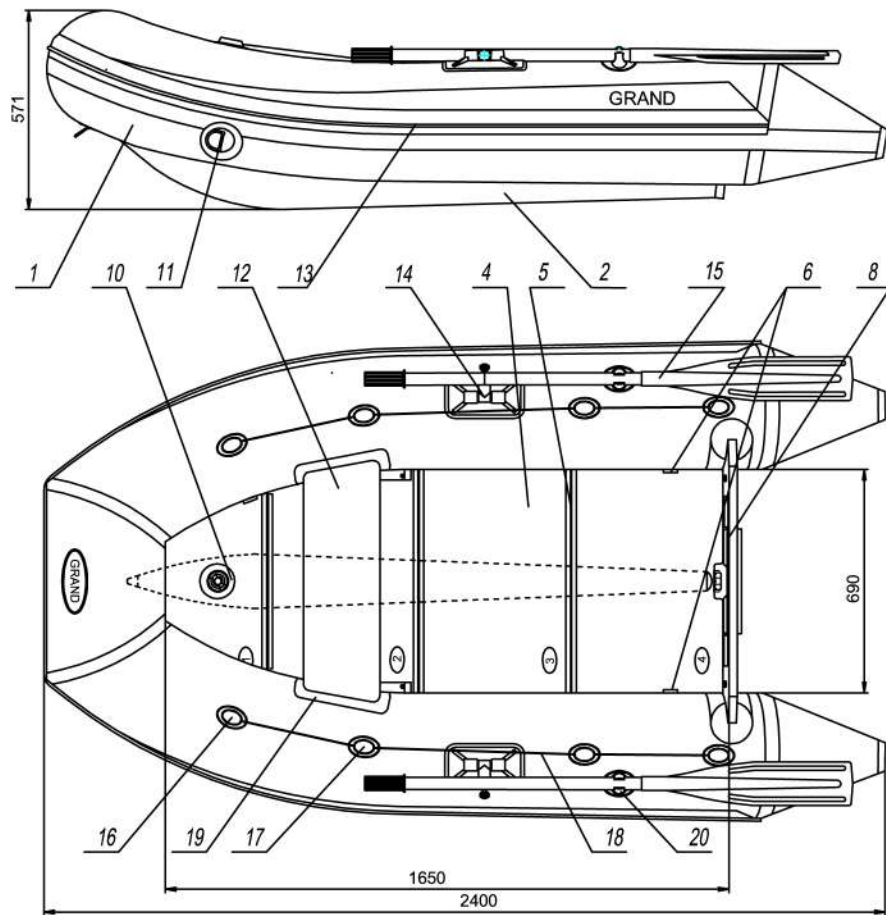
TUBE

Tube diametr (cm) 36
 No of chambers 3+2
 Tube volume (m*3) 0.44

Engine max (HP) 5
 Engine recommended (HP) 4

Item No	Description	Qty	Note
1	Inflatable tube for C240	1	
2	V-shape bottom for C240	1	
3	Integral marine grade ply transom for C240	1	
4	4580 Airdeck for C240	1	
5	4139 Inflation-deflation valve BRAVO-2005	3	
6	4422 Motor plate extremal N3	1	
7	4410 Motor plate internal 230x86	1	
8	4448 Pull up drain valve	1	
9	4590 Inflatable keel for C240	1	
10	4259 Towing eye, PVC	3	
11	4514 Wooden seat №10 grey	1	
12	4263 Rubbing strake, 80mm	1	
13	4262 Oarlockt	2	
14	4101 Oar 140 cm ith rivert	2	
15	4257 Lifeline holder (end)	4	
16	4258 Lifeline holder (middle)	4	
17	4266 Lifeline, D 10mm	2	
18	4254 Wooden seat holder N1	2	
19	4256 Oar holder	2	
20	4250 PVC handle grey / grey insertion	1	

UNLESS OTHERWISE SPECIFIED: DIMENSIONS ARE IN MILLIMETERS		FINISH		DRAWING AND CHECK DRAWING EDGES		DO NOT SCALE DRAWING		REVISION	
SURFACE FINISH: TOL.DIMENSIONS: LINEAR: ANGULAR:									
DESIGN	NAME	SIGNATURE	DATE					Corvette C240A	
CHIEF	Kruglyak								
CHIEF	Droblyazko								
APP'VD	Grebennikov								
BY									
CHK								1231	
				MATERIAL:					
				WEIGHT:		SCALE: 1:1		SHEET 1 OF 1	



DIMENSION (cm)

Lenght overall 240
 Lenght inside 165
 Wight overall 140
 Winght inside 69

Engine max (HP) 5
 Engine recommended (HP) 4

CAPASITY

Passengers capacity 2
 Max loading capacity (kg) 300
 Boat weight (kg) 29

TUBE

Tube diametr (cm) 36
 No of chambers 3+1
 Tube volume (m*3) 0.44

Item	Item No	Description	Qty	Note
1		Inflatable tube for C240	1	
2		V-shape bottom for C240	1	
3		Integral marine grade ply transom for C240	1	
4	4560	Floorboards set for C240	1	
5	4570	Aluminum beams set for C240	1	
6	4139	Inflation-deflation valve BRAVO-2005	3	
7	4422	Motor plate extermal N3	1	
8	4410	Motor plate internal 230x86	1	
9	4448	Pull up drain valve	1	
10	4590	Inflatable keel	1	
11	4259	Towing eye, PVC	3	
12	4514	Wooden seat №10 grey	1	
13	4263	Rubbing strake, 80mm	1	
14	4262	Oarlockt	2	
15	4101	Oar 140 cm ith rivert	2	
16	4257	Lifeline holder (end)	4	
17	4258	Lifeline holder (middle)	4	
18	4266	Lifeline, D 10mm	2	
19	4254	Wooden seat holder №1	2	
20	4256	Oar holder	2	
21	4250	PVC handle grey / grey insertion	1	

<small>ALL DIMENSIONS UNLESS SPECIFIED DIMENSIONS ARE IN MILLIMETERS SURFACE FINISH TOLERANCES: 1 LINEAR ANGULAR</small>		<small>FINISH</small>	<small>GRAND SERIAL S-NUM- 13006</small>	<small>DO NOT SCALE DRAWING</small>	<small>REVISION</small>
<small>DESIGN</small> Kruglyak <small>CHIEF</small> Drobyazko <small>APP'VD</small> Grebennikov <small>WES</small> <small>Q.A.</small>	<small>SIGNATURE</small> <small>DATE</small>	<small>DATE</small>	<small>MATERIAL</small>	Corvette C240	
			<small>WEIGHT</small>	1230	
				<small>SCALE: 1:1</small>	<small>SHEET 1 OF 1</small>