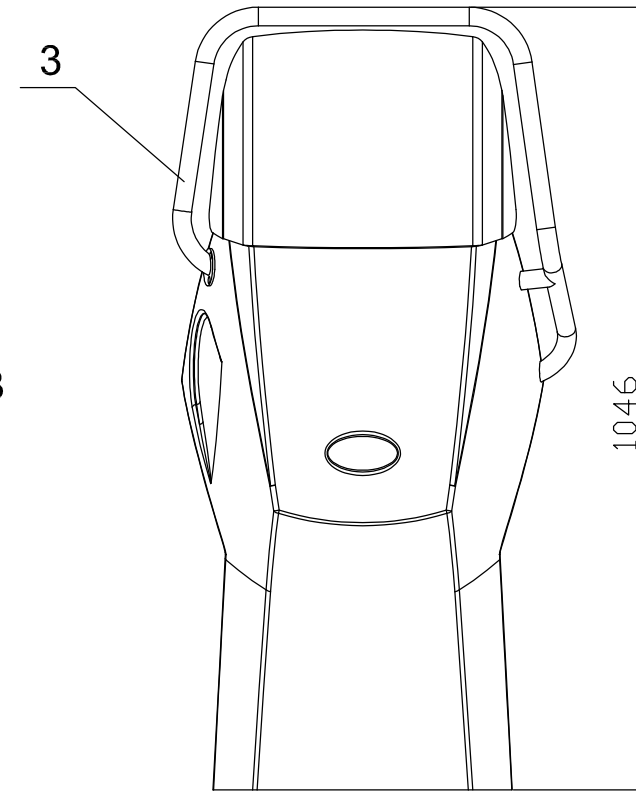
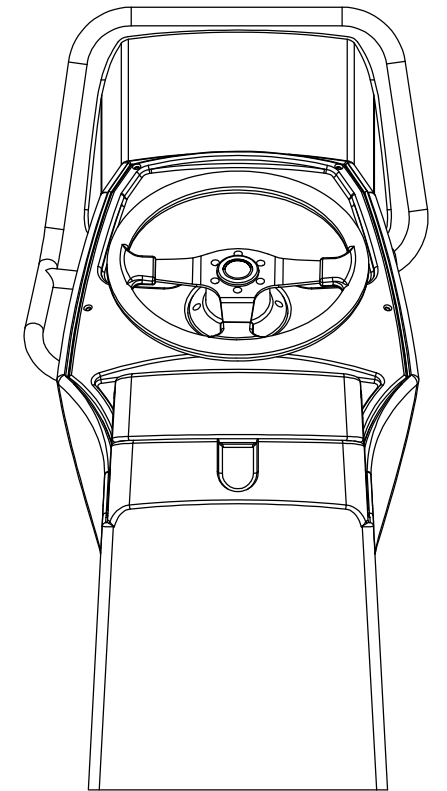
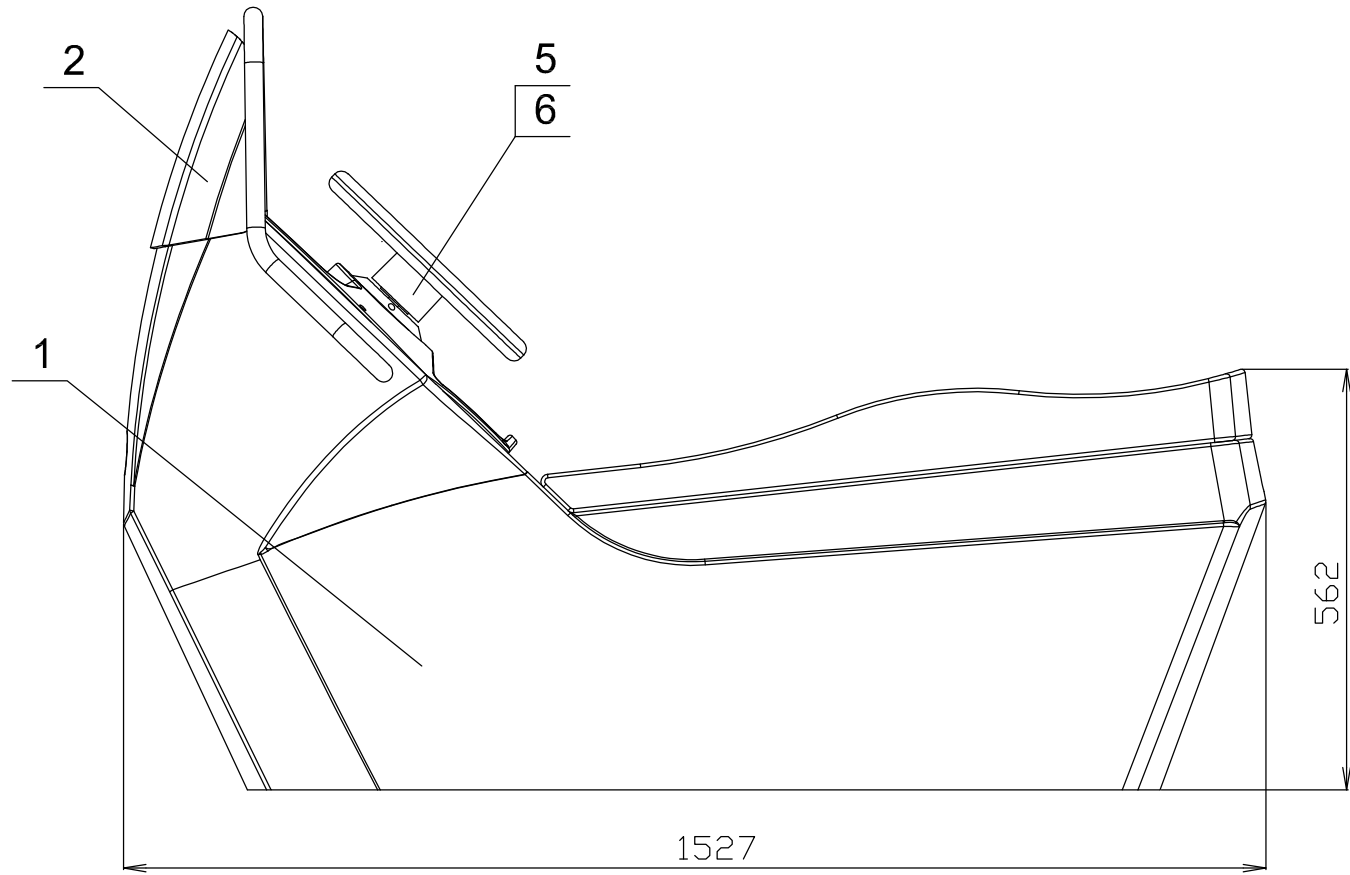


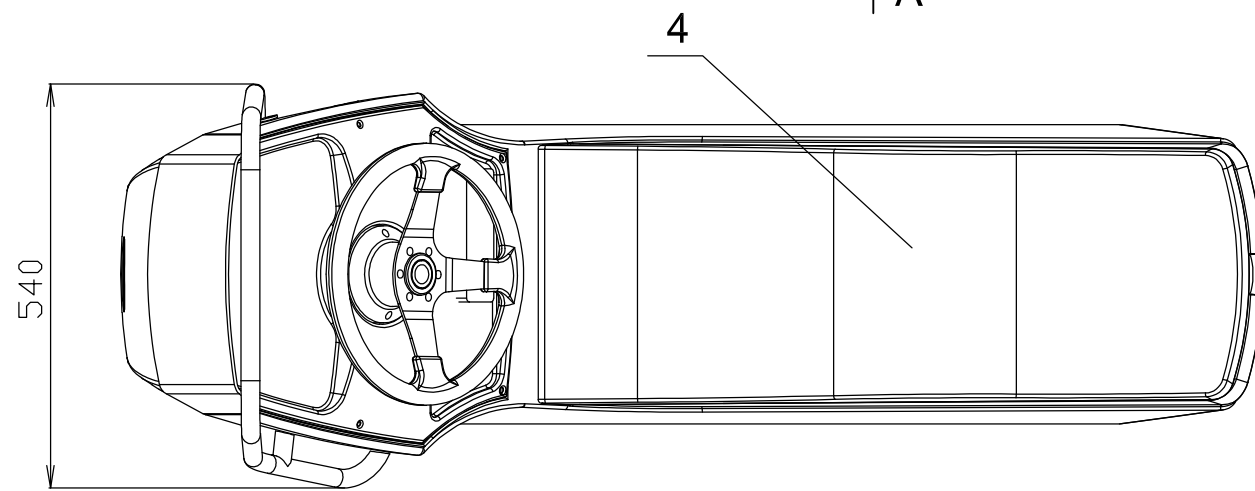
View B



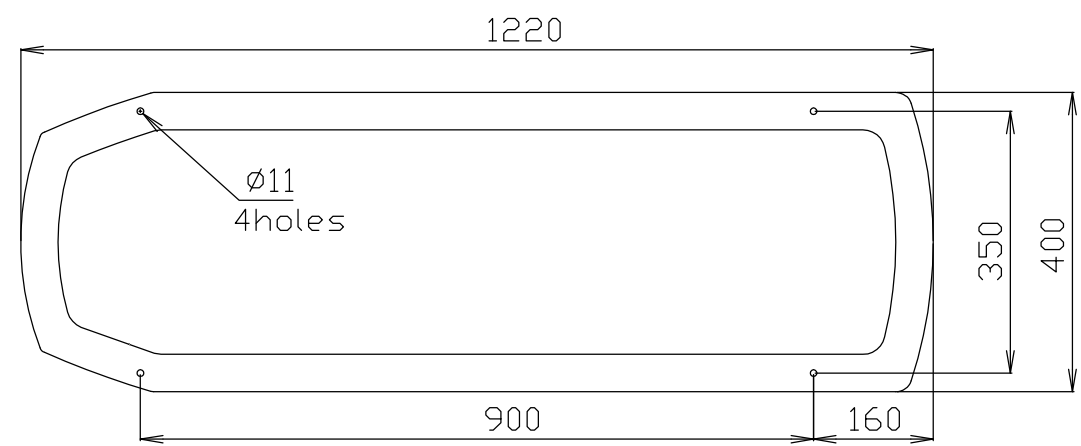
↑ B



↑ A



View A



Zone	Item	Designation	Denomination	Q-ty	Remark
	1	42110W	Rack enclosure	1	
	2	4481	Windshield, with installation kit	1	
	3	54350	St. steel railing for, with installation kit	1	
	4	4626	Seat for	1	
	5	64053	Steering systems for engines 50HP and over	1	
	6	2280	Steering wheel Sport	1	

UNLESS OTHERWISE SPECIFIED: DIMENSIONS ARE IN MILLIMETERS		FINISH:		DEBUR AND BREAK SHARP EDGES		DO NOT SCALE DRAWING		REVISION	
DRAWN	Borodin	SIGNATURE	DATE						
CHKD	Droblyazko		30.10.12						
APPVD	Grebennikov								
MFG									
QA									
MATERIAL:						2218		A2	
WEIGHT: -						SCALE: 1:1		SHEET 1 OF 1	

PROPRIETARY AND CONFIDENTIAL
THE INFORMATION CONTAINED IN THIS
DRAWING IS THE SOLE PROPERTY OF
GRAND MARINE CORPORATION. ANY
REPRODUCTION IN PART OR AS A WHOLE
WITHOUT THE WRITTEN PERMISSION OF
<GRAND MARINE CORPORATION> IS
PROHIBITED.

Steering console CS-03