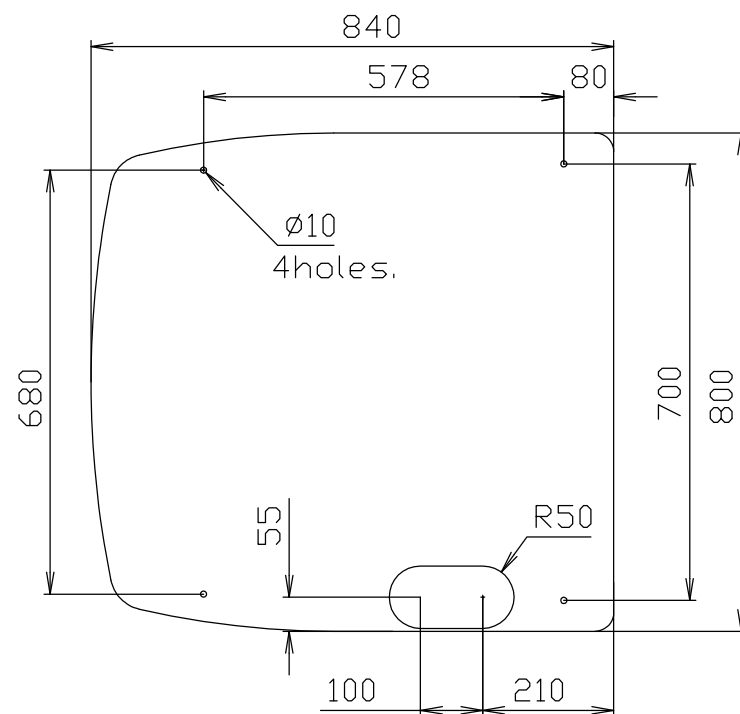


View A



Zone	Item	Designation	Denomination	Q-ty	Remark
	1	42104W	Top rack	1	
	2	42105W	Bottom rack	1	
	3	4490	Windshield, with installation kit	1	
	4	54427	St. steel railing for, with installation kit	1	
	5	43022W	Seat base	1	
	6	4633	Seat for	1	
	7	4668	Seat back	1	
	8	64053	Steering systems for engines 50HP and over	1	
	9	2281	Steering wheel De Luxe	1	
	10	61071	Technological hatch 600x375	1	
	11	63004	Niche extinguisher	1	

UNLESS OTHERWISE SPECIFIED: DIMENSIONS ARE IN MILLIMETERS		FINISH:		DEBUR AND BREAK SHARP EDGES		DO NOT SCALE DRAWING		REVISION	
DRAWN	Borodin	SIGNATURE	DATE			Steering console CL-10			
CHKD	Droblyazko		30.10.12						
APPVD	Grebennikov								
MFG									
Q/A		MATERIAL:		2214		A2			
WEIGHT:		-		SCALE:1:1		SHEET 1 OF 1			

PROPRIETARY AND CONFIDENTIAL
THE INFORMATION CONTAINED IN THIS
DRAWING IS THE SOLE PROPERTY OF
GRAND MARINE CORPORATION. ANY
REPRODUCTION IN PART OR AS A WHOLE
WITHOUT THE WRITTEN PERMISSION OF
GRAND MARINE CORPORATION IS
PROHIBITED.